

Surface Raceway / Steel SMS4464

SnapMark™

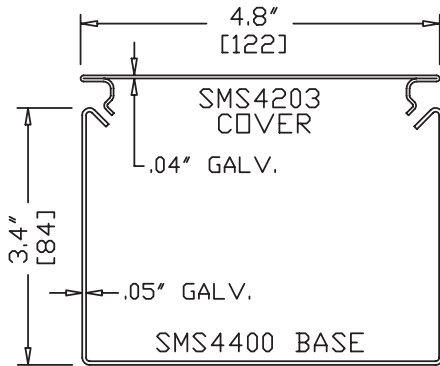
Manufactured by MonoSystems, Inc.

C-HANGER

Assembly Instructions

1. Fasten C-Hangers to 3/8" threaded rod using 3/8" washers and nuts, hangers are to be installed @ 5' [122m] maximum centers.
2. Thru field drilled holes, fasten SMS4400 base sections to each C-Hanger using two 10- 32 x 5/8" machine screws with washers and nut.
3. Material: 1/8" x 2" H.R.S

Available in Standard Gray or Ivory
(Add "-I" suffix to specify Ivory).



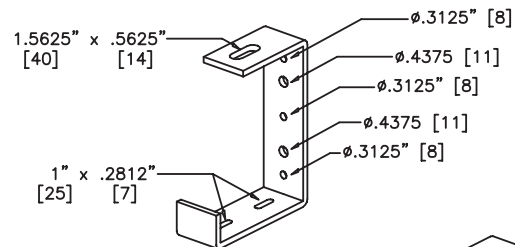
SMS4400 SERIES
STEEL RACEWAY
SECTION VIEW
EACH ORDERED SEPARATELY
SCALE: NONE



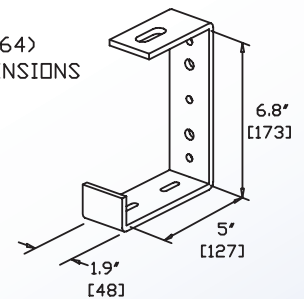
UL LISTED
FILE: E164140



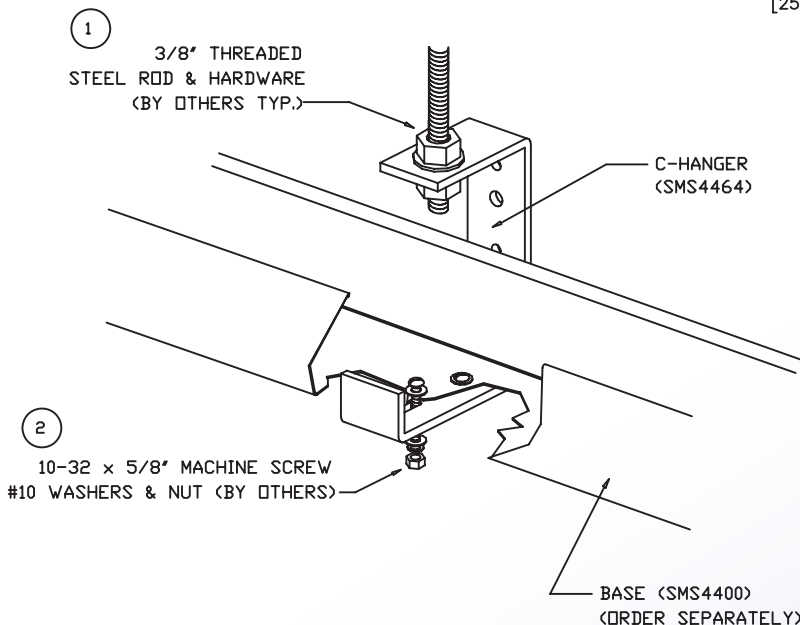
LOAD INFORMATION:
30 LBS. / 10FT. SECTION
@ 5' [1.52m] MAXIMUM CENTERS.



C-HANGER (SMS4464)
MOUNTING HOLE DIMENSIONS



C-HANGER (SMS4464)
OVERALL DIMENSIONS



4 International Drive
Rye Brook, NY 10573
Toll Free: 1 888.764.7681
Phone: 914.934.2075
Fax: 914.934.2190
MonoSystems.com

