

# Surface Raceway / Aluminum SWA3303

Snap Way™

Manufactured by MonoSystems, Inc.

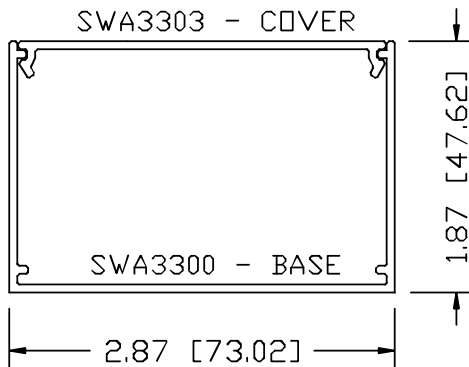
## COVER

### Notes:

- 1.) Firmly press cover into place ensuring that both sides are completely snapped into base section.
- 1.) To remove: Gently pry upward on base and cover seam with a non-abrasive tool such as plastic putty knife.

### Material

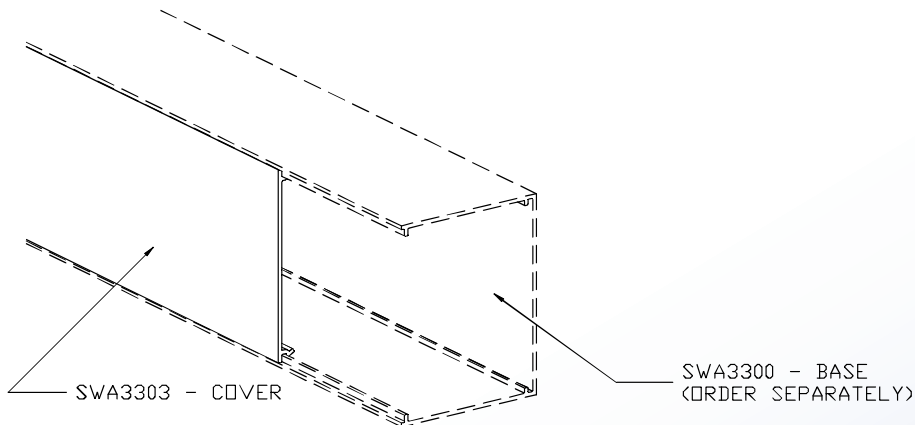
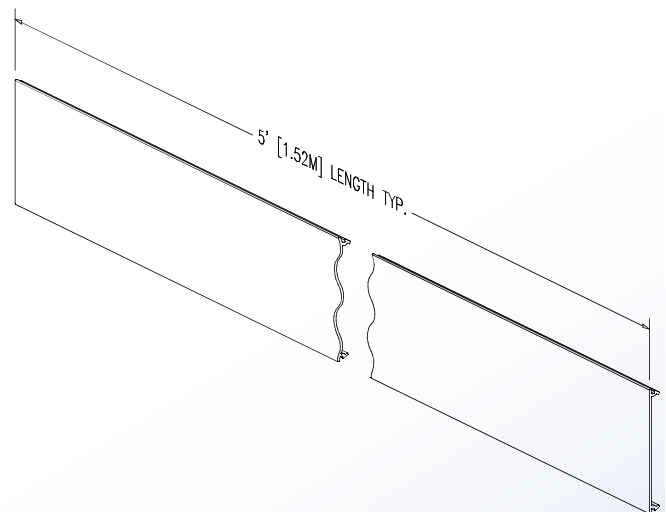
#6063-T6 extruded aluminum. Nominal wall thickness 0.060".



SWA3300 SERIES  
ALUMINUM RACEWAY - SECTION  
SATIN ANNOIDIZED FINISH  
(EACH ORDERED SEPARATELY)



UL LISTED  
FILE: E164140



4 International Drive  
Rye Brook, NY 10573  
Toll Free: 1 888.764.7681  
Phone: 914.934.2075  
Fax: 914.934.2190  
MonoSystems.com

