

# Surface Raceway / Aluminum SWA2414

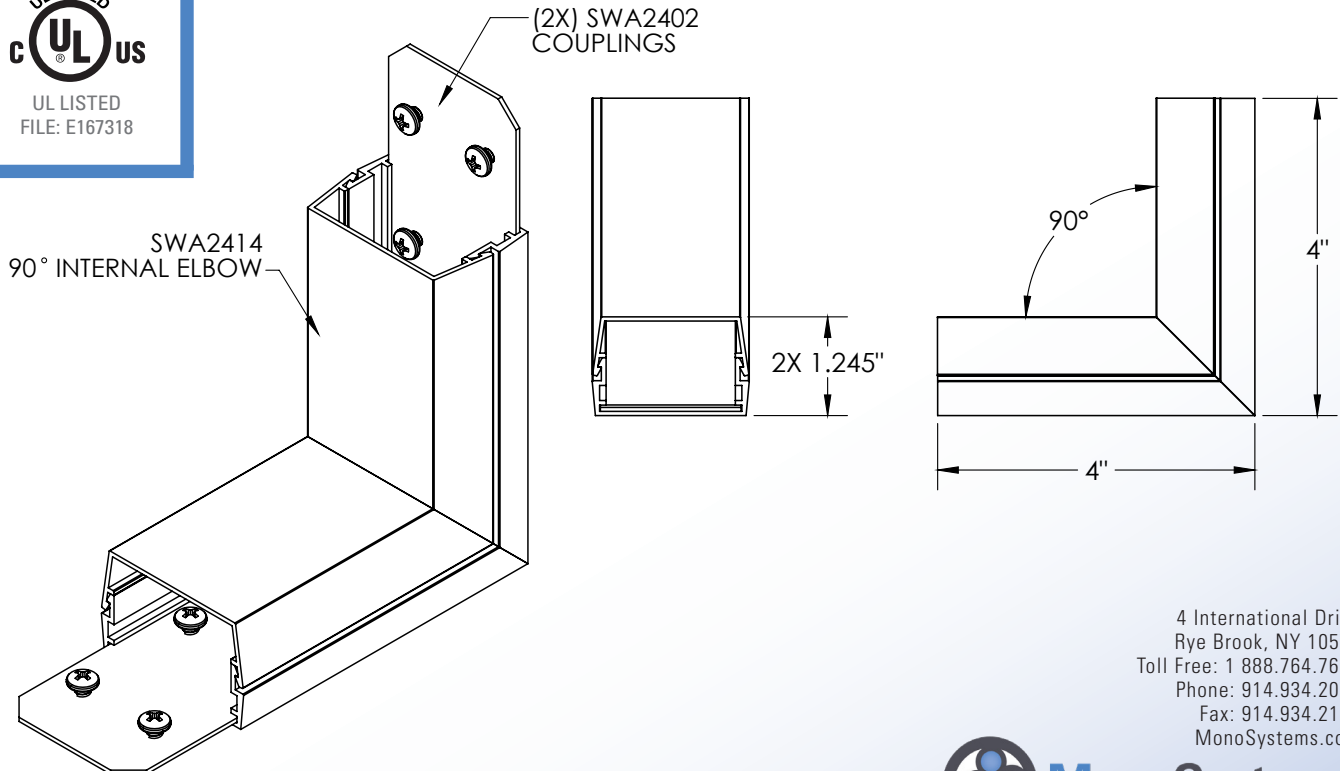
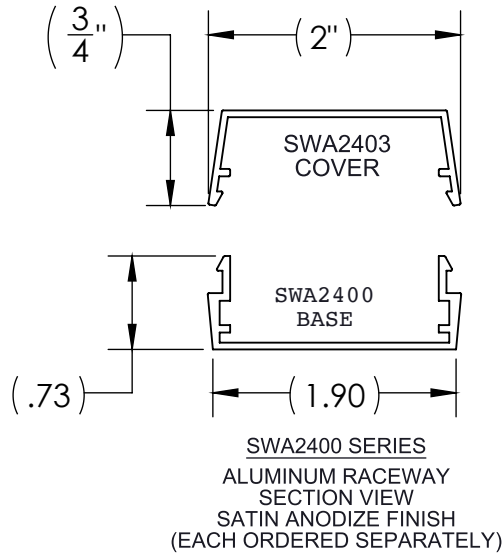
## SnapWay™ Fittings

Manufactured by MonoSystems, Inc.

### 90° INTERNAL ELBOW

#### Notes

- 1.) Attach elbow to Raceway using (2x) SWA2402 couplings and #8-32 hardware as shown.
- 2.) For making 90° internal corners.
- 3.) View for reference - do not scale.



4 International Drive  
Rye Brook, NY 10573  
Toll Free: 1 888.764.7681  
Phone: 914.934.2075  
Fax: 914.934.2190  
MonoSystems.com

