

Surface Raceway / Aluminum SWA2407

SnapWay™ Accessories

Manufactured by MonoSystems, Inc.

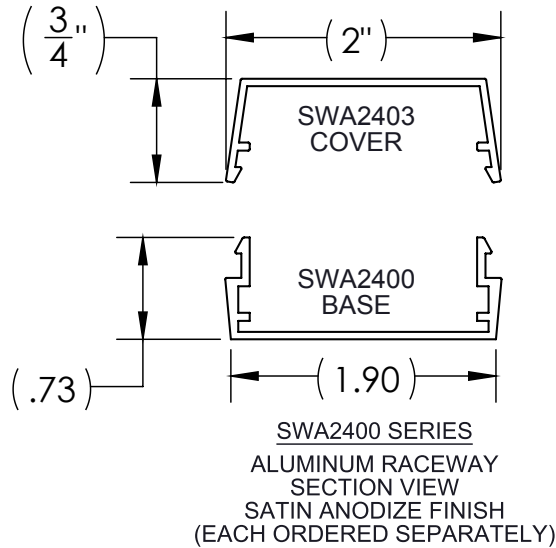
WIRE CLIP, INNER SEAM CLIP

Notes

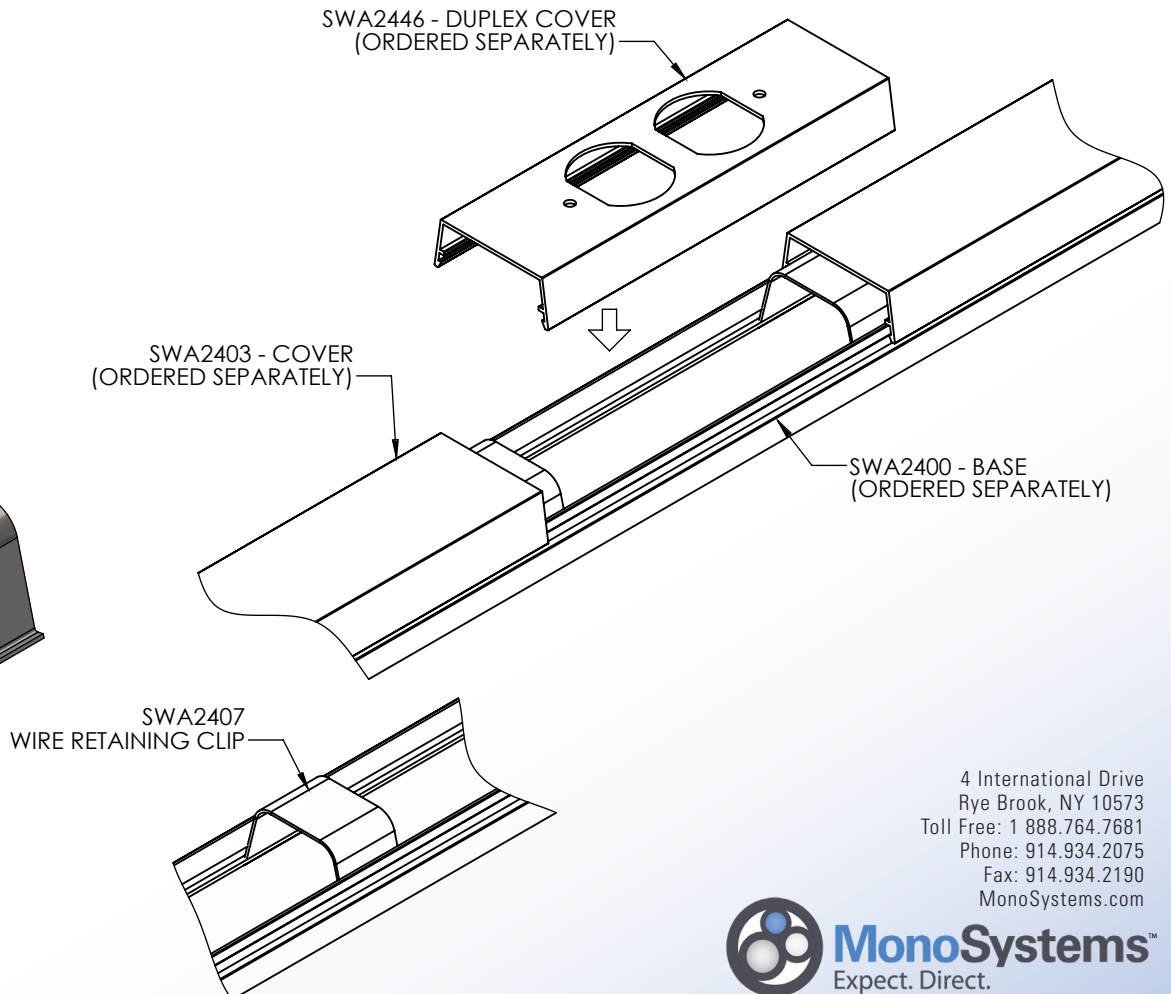
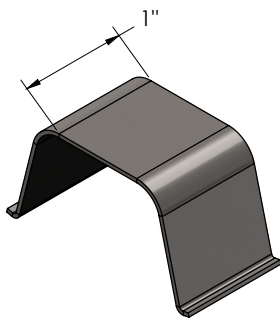
1. Helps to keep device plate and wire in place. Recommended use at device cover seams and at spans of not more than 30" apart.
2. Install wire clip around wire inside of raceway by inserting one edge into inner bottom lip (as shown). Gently compress wire clip and install into adjacent bottom lip.
3. Views for reference - Do not scale.

Material

20GA 301 Stainless Steel.



UL LISTED
FILE: E167318



4 International Drive
Rye Brook, NY 10573
Toll Free: 1 888.764.7681
Phone: 914.934.2075
Fax: 914.934.2190
MonoSystems.com

