

Surface Raceway / Aluminum SWA2406

SnapWay™ Accessories

Manufactured by MonoSystems, Inc.

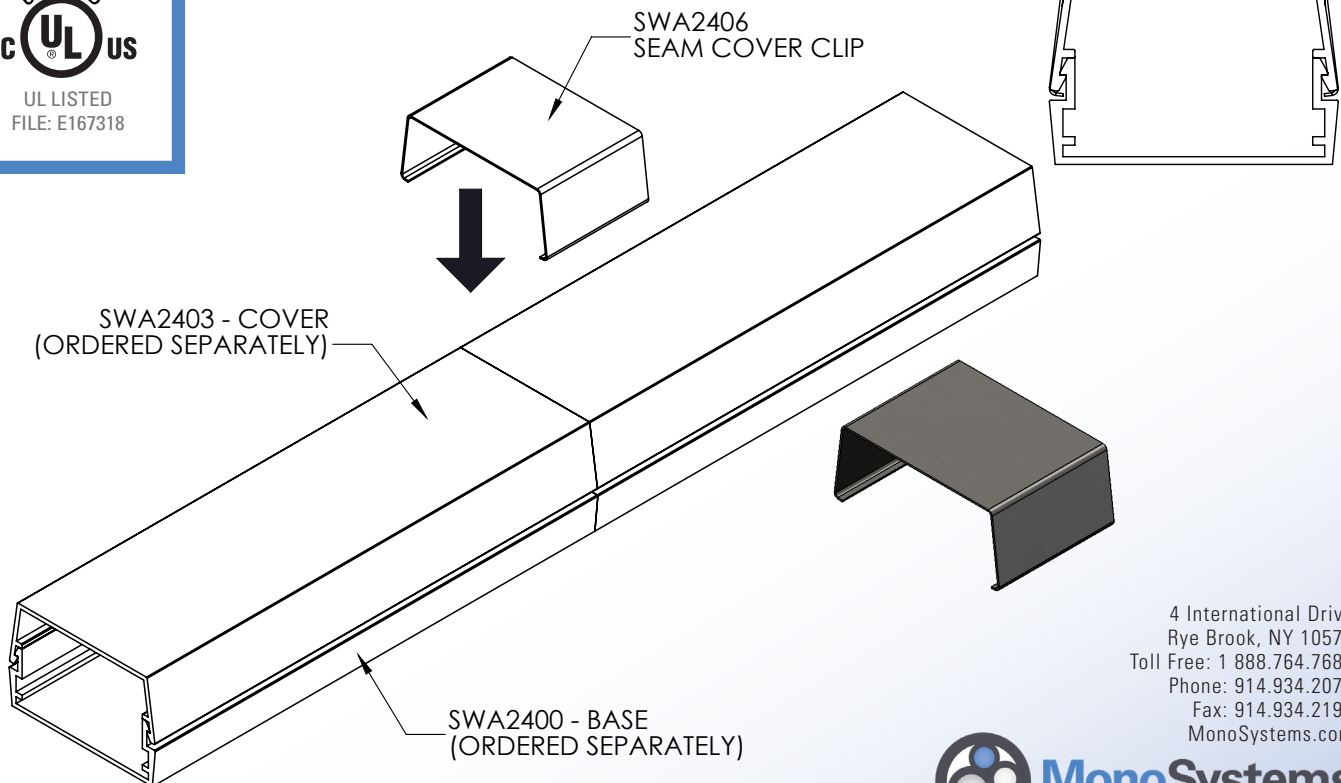
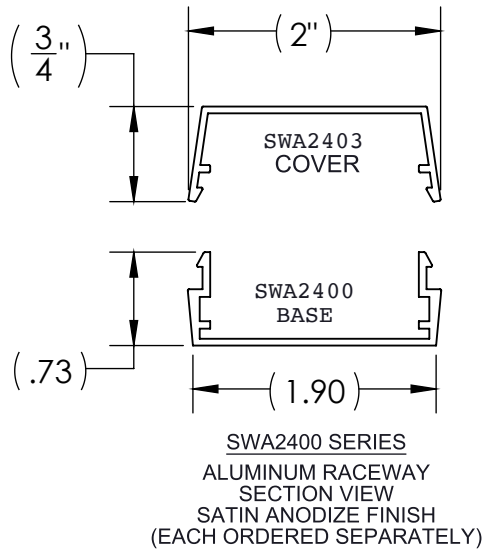
SEAM COVER CLIP

Notes

- 1.) Attach seam cover clip at locations where cover seams meet.
- 2.) Views for reference - do not scale.

Material

301 Stainless Steel.



4 International Drive
Rye Brook, NY 10573
Toll Free: 1 888.764.7681
Phone: 914.934.2075
Fax: 914.934.2190
MonoSystems.com

