

Surface Raceway / Aluminum SWA2402

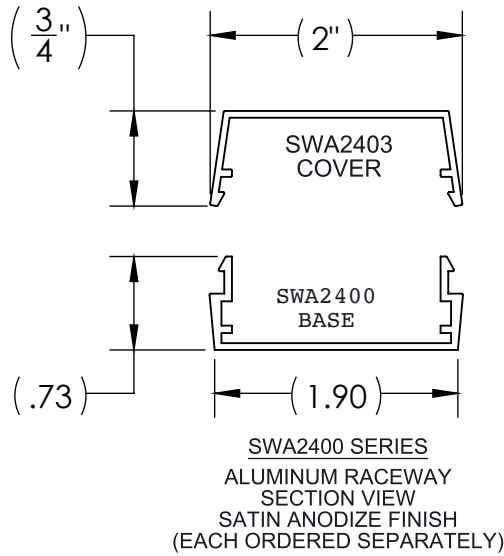
SnapWay™ Accessories

Manufactured by MonoSystems, Inc.

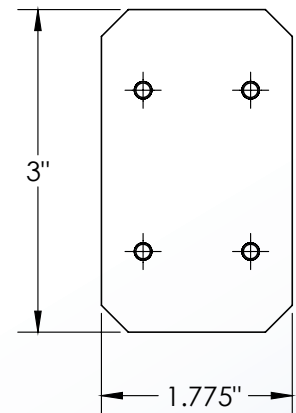
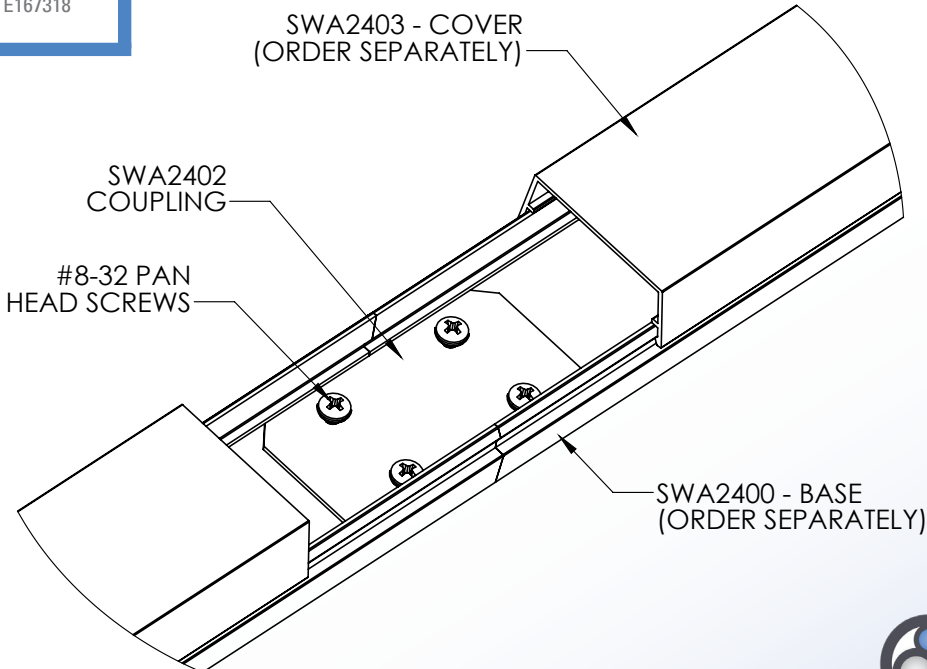
COUPLING

Notes

- 1.) For connecting two pieces of Raceway.
- 2.) Assembly instructions: Insert coupling into ends of base sections to be joined. Secure in place using #8-32 hardware (provided).
- 3.) Views for reference - do not scale.



UL LISTED
FILE: E167318



4 International Drive
Rye Brook, NY 10573
Toll Free: 1 888.764.7681
Phone: 914.934.2075
Fax: 914.934.2190
MonoSystems.com

