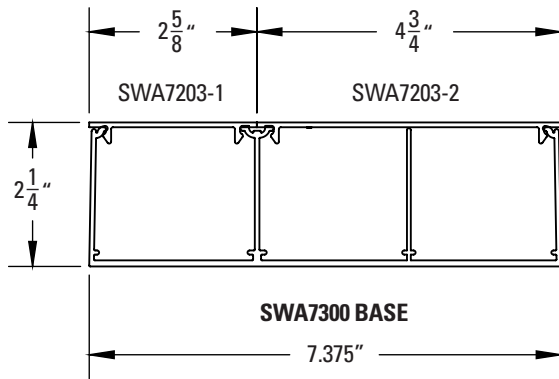


Surface Raceway / Aluminum SWA7312

SnapWay™ Fittings

Manufactured by MonoSystems, Inc.

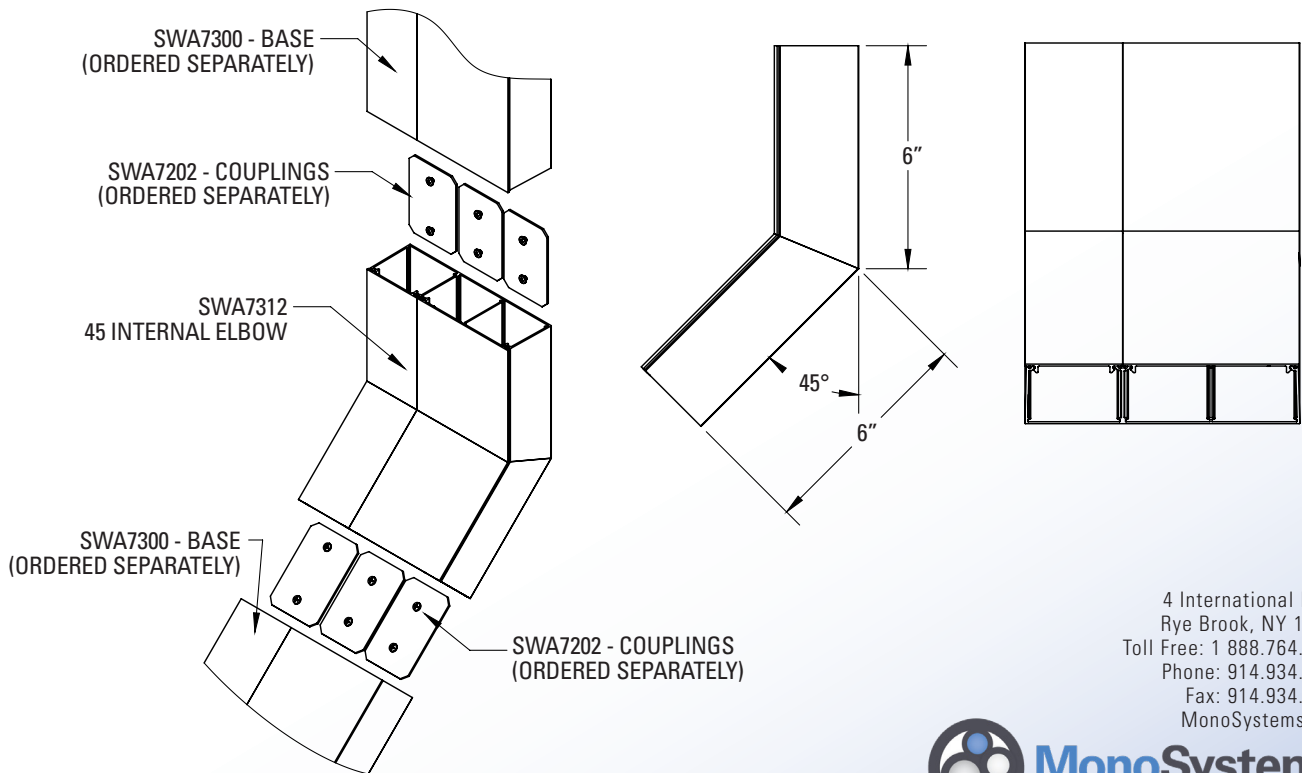
45° INTERNAL ELBOW



SWA7300 SERIES
3 COMPARTMENT
ALUMINUM RACEWAY
SECTION VIEW
SATIN ANODIZE FINISH
(EACH ORDERED SEPARATELY)

Notes

- 1.) For internal 45 turns.
- 2.) Installation: Connect SWA7312 to SWA7300 base sections using SWA7202 couplings (ordered separately). Secure elbow to base by tightening #8-32 pan head screws. Snap cover into cover into.
- 3.) Material: #6063-t6 extruded aluminum, satin anodized finish.
- 4.) Views for reference - do not scale.



4 International Drive
Rye Brook, NY 10573
Toll Free: 1 888.764.7681
Phone: 914.934.2075
Fax: 914.934.2190
MonoSystems.com

