

Surface Raceway / Aluminum SWA7310

SnapWay™ Fittings

Manufactured by MonoSystems, Inc.

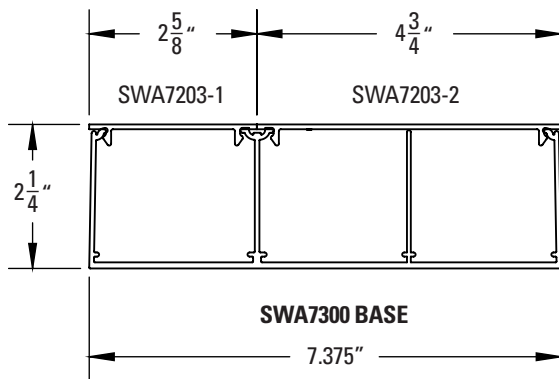
TEE WITH PASS THRU BRIDGES

Notes

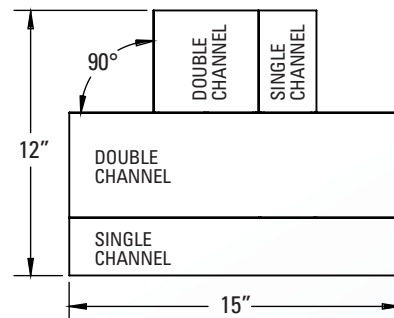
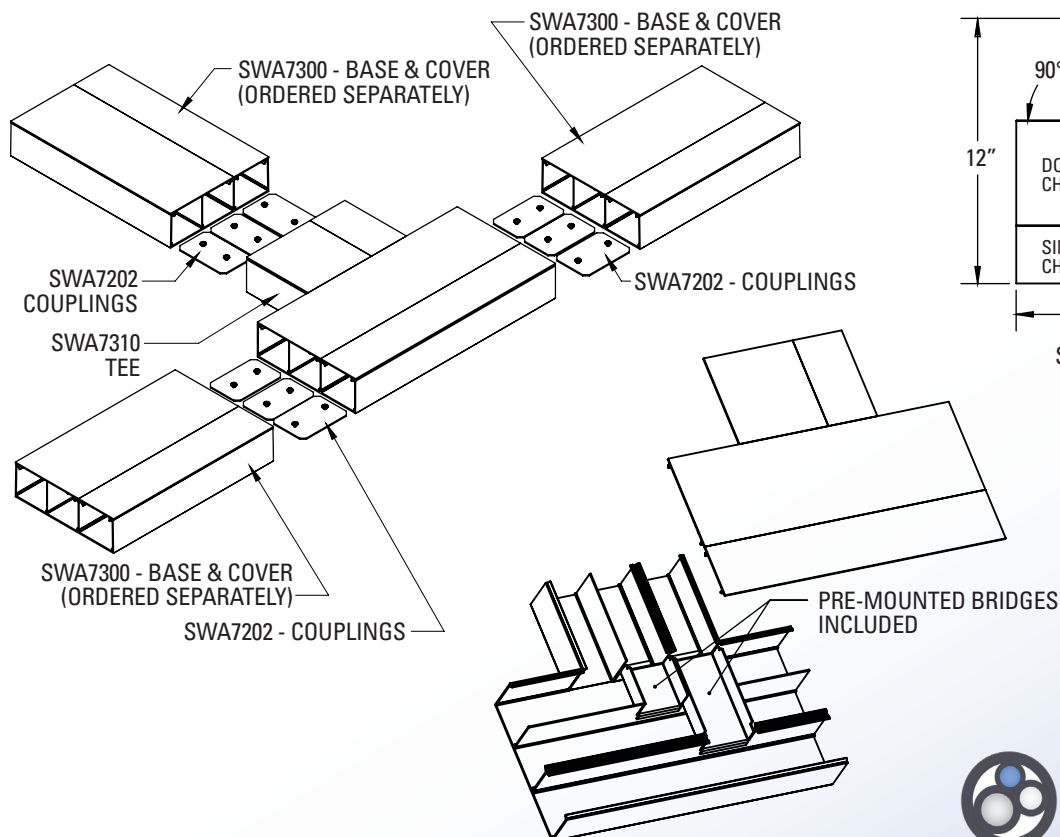
- 1.) For internal right angle turns.
- 2.) Standard configuration shown. Additional tee configurations are available such as: *single channel on top and or *single channel on right. Please speak with MonoSystems to choose.
- 3.) Installation: connect SWA7310 divided tee to SWA7300 base sections using SWA7202 couplings (included). Secure elbow to base by tightening #8-32 pan head screws. Snap cover into place.
- 4.) Views for reference - do not scale.

Material

#6063-T6 Extruded Aluminum, Satin Anodized Finish.



SWA7300 SERIES
3 COMPARTMENT
ALUMINUM RACEWAY
SECTION VIEW
SATIN ANODIZE FINISH
(EACH ORDERED SEPARATELY)



STANDARD TEE OFFERING
WITH SINGLE CHANNEL
ON BOTTOM AND
CONNECTED VERTICALLY
ON RIGHT
SEE NOTE 2

4 International Drive
Rye Brook, NY 10573
Toll Free: 1 888.764.7681
Phone: 914.934.2075
Fax: 914.934.2190
MonoSystems.com

