

Surface Raceway / Aluminum SWA7306

SnapWay™ Accessories

Manufactured by MonoSystems, Inc.

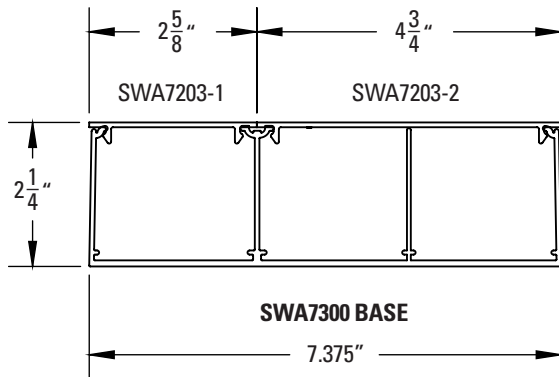
COVER SEAM CLIP

Notes

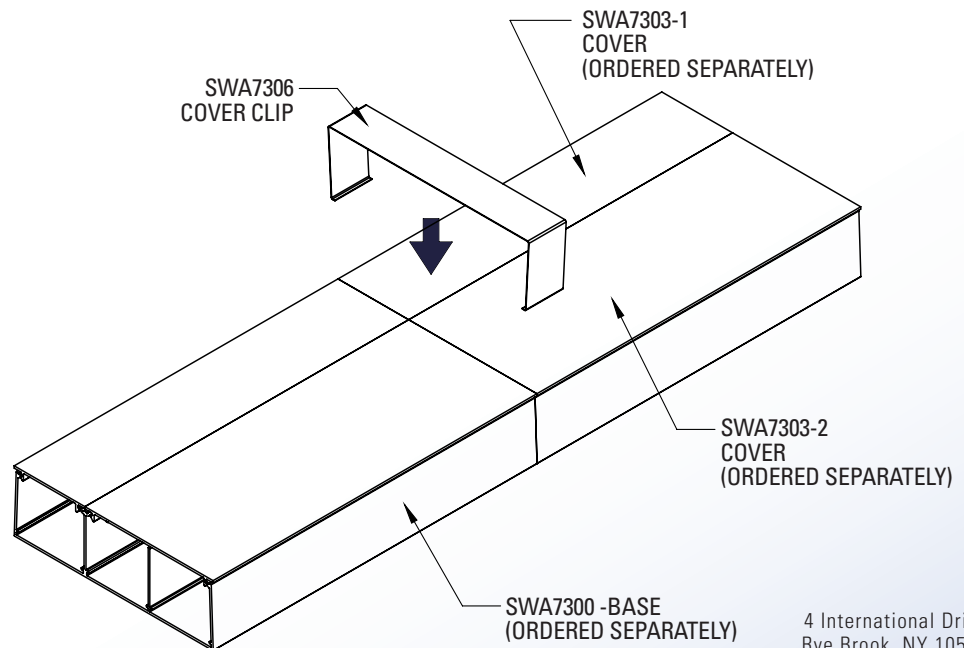
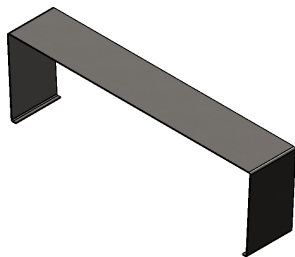
- 1.) Attach at locations where cover sections meet. Clips into place without the need for tools.
- 2.) Views for reference - do not scale.

Material

20 Gauge Stainless Steel.



SWA7300 SERIES
3 COMPARTMENT
ALUMINUM RACEWAY
SECTION VIEW
SATIN ANODIZE FINISH
(EACH ORDERED SEPARATELY)



4 International Drive
Rye Brook, NY 10573
Toll Free: 1 888.764.7681
Phone: 914.934.2075
Fax: 914.934.2190
MonoSystems.com

