

Surface Raceway / Aluminum SWA7304

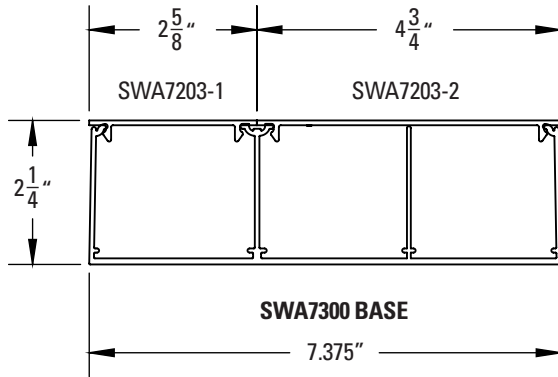
SnapWay™ Accessories

Manufactured by MonoSystems, Inc.

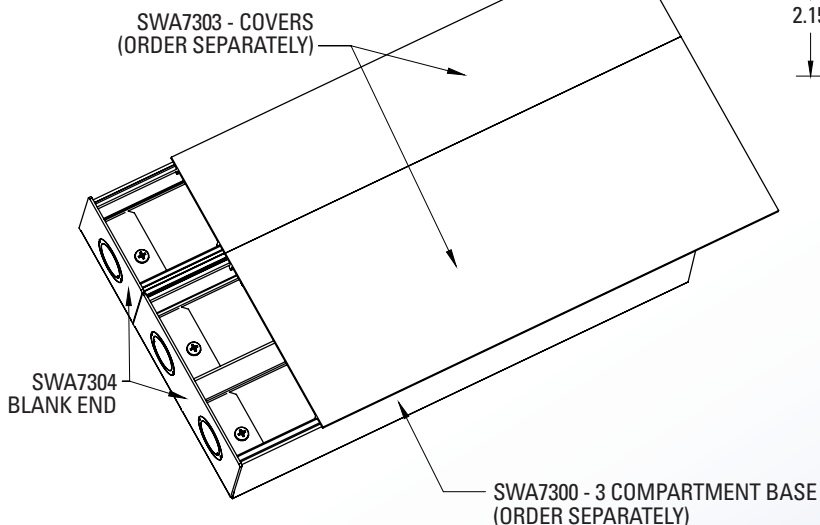
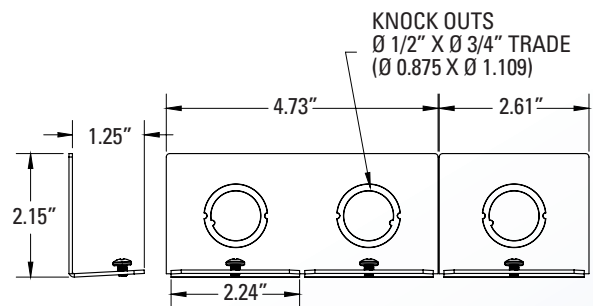
BLANK END WITH KNOCKOUTS

Notes

- 1.) End caps with (3) $\varnothing 1/2" \times \varnothing 3/4"$ concentric trade size knock outs.
- 2.) Assembly instructions: insert blank end into end of base section. Secure in place using #8-32 hardware (provided).
- 3.) Satin anodized finish.
- 4.) Views for reference - do not scale.



SWA7300 SERIES
3 COMPARTMENT
ALUMINUM RACEWAY
SECTION VIEW
SATIN ANODIZE FINISH
(EACH ORDERED SEPARATELY)



4 International Drive
Rye Brook, NY 10573
Toll Free: 1 888.764.7681
Phone: 914.934.2075
Fax: 914.934.2190
MonoSystems.com

