

# Surface Raceway / Aluminum SWA7300

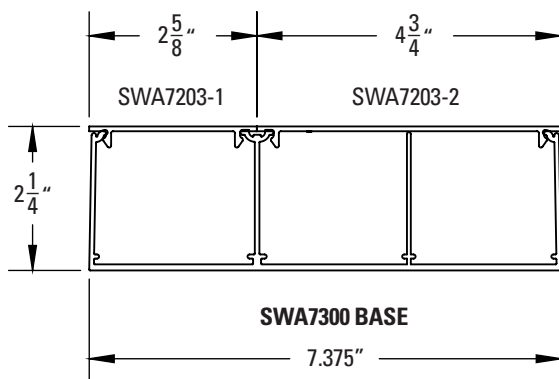
## SnapWay™ Fittings

Manufactured by MonoSystems, Inc.

### ALUMINUM RACEWAY FILLRATE

#### Notes

- 1.) Assembly Instructions: Rigidly secure base section to structural building member or wall construction at 18" maximum mounting centers. Engineer to verify fasteners and mounting interval based on mounting surface construction (hardware by others).
- 2.) Material: #6063-t6 extruded aluminum, satin anodized finish.
- 3.) Views for reference - do not scale.



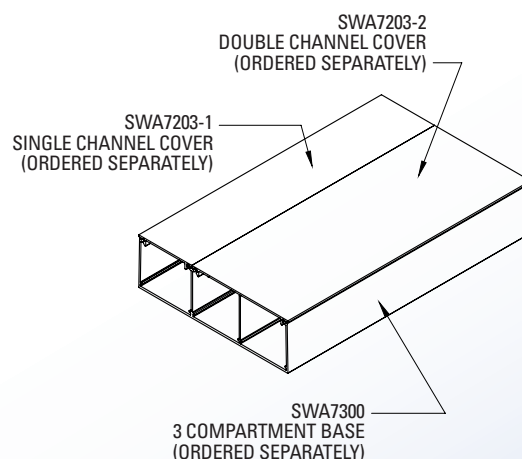
**SWA7300 SERIES**  
3 COMPARTMENT  
ALUMINUM RACEWAY  
SECTION VIEW  
SATIN ANODIZE FINISH  
(EACH ORDERED SEPARATELY)

| SWA7300 SERIES ALUMINUM RACEWAY FILL CAPACITY FOR DATA / COMMUNICATIONS |                                  |                               |  |                            |
|---|----------------------------------|-------------------------------|--|----------------------------|
| CABLE TYPE  | CABLE/WIRE SIZE                  | APPROX. O.D. Ø<br>INCHES [MM] | SINGLE CHANNEL<br>4.31 IN <sup>2</sup> [2797 MM <sup>2</sup> ] | DOUBLE DIVIDED<br>CHANNEL* |
|   |                                  |                               | 40% FILL   | 40% FILL                   |
| UNSHIELDED<br>TWISTED PAIR<br>(CUTP)                                    | 4-PAIR, 24 AWG, CAT 3            | 0.190 [4.8]                   | 71   | 66                         |
|   | 4-PAIR, 24 AWG, CAT 5E<br>(CUTP) | 0.210 [5.3]                   | 58   | 55                         |
|   | 4-PAIR, 24 AWG, CAT 6            | 0.250 [6.3]                   | 41   | 38                         |
|   | 4-PAIR, 24 AWG, CAT 6A           | 0.354 [9.0]                   | 20   | 19                         |
| TELEPHONE   | 25-PAIR, 24 AWG                  | 0.360 [9.1]                   | 20   | 19                         |
| COAXIAL CABLES  | RG6/U 18 GAUGE                   | 0.270 [6.9]                   | 35   | 33                         |
| FIBER OPTIC   | ZIPCORD                          | 0.188 X 0.236 [3 X 6]         | 72   | 68                         |
|   | ROUND 4 STRAND FIBER             | 0.187 [4.7]                   | 73   | 69                         |
|   | ROUND 6 STRAND FIBER             | 0.256 [6.5]                   | 39   | 37                         |

\*EACH COMPARTMENT

| SWA7300 SERIES ALUMINUM RACEWAY FILL CAPACITY FOR POWER 40% FILL FACTOR |   |                    |                   |                    |
|---|---|--------------------|-------------------|--------------------|
| WIRE SIZE<br>(STRANDED)<br>THHN/THWN                                    | POWER WIRING<br>WITH 2.04 SQ. IN.<br>GFCI DEVICES |                    | WITHOUT DEVICES   |                    |
|   | SINGLE<br>CHANNEL                                 | DOUBLE<br>CHANNEL* | SINGLE<br>CHANNEL | DOUBLE<br>CHANNEL* |
| 8 AWG   | 31  | 27                 | 53                | 49                 |
| 10 AWG  | 64  | 57                 | 108               | 101                |
| 12 AWG  | 100   | 89                 | 170               | 159                |
| 14 AWG  | 138   | 121                | 235               | 218                |

\*EACH COMPARTMENT



4 International Drive  
Rye Brook, NY 10573  
Toll Free: 1 888.764.7681  
Phone: 914.934.2075  
Fax: 914.934.2190  
MonoSystems.com

