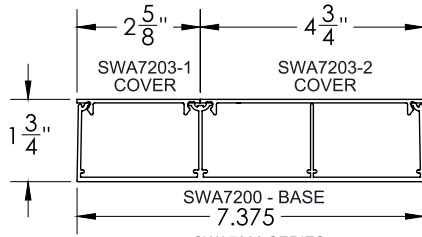


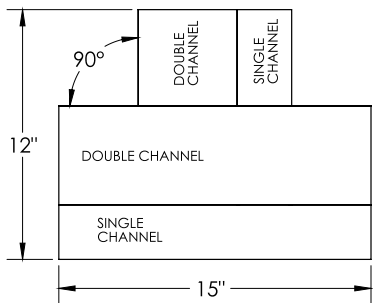
Surface Raceway / Aluminum SWA7210

SnapWay™ Fittings
Manufactured by MonoSystems, Inc.

TEE WITH PASS THRU BRIDGES



SWA7200 SERIES
3 COMPARTMENT ALUMINUM RACEWAY
SECTION VIEW SATIN ANODIZE FINISH
(EACH ORDERED SEPARATELY)



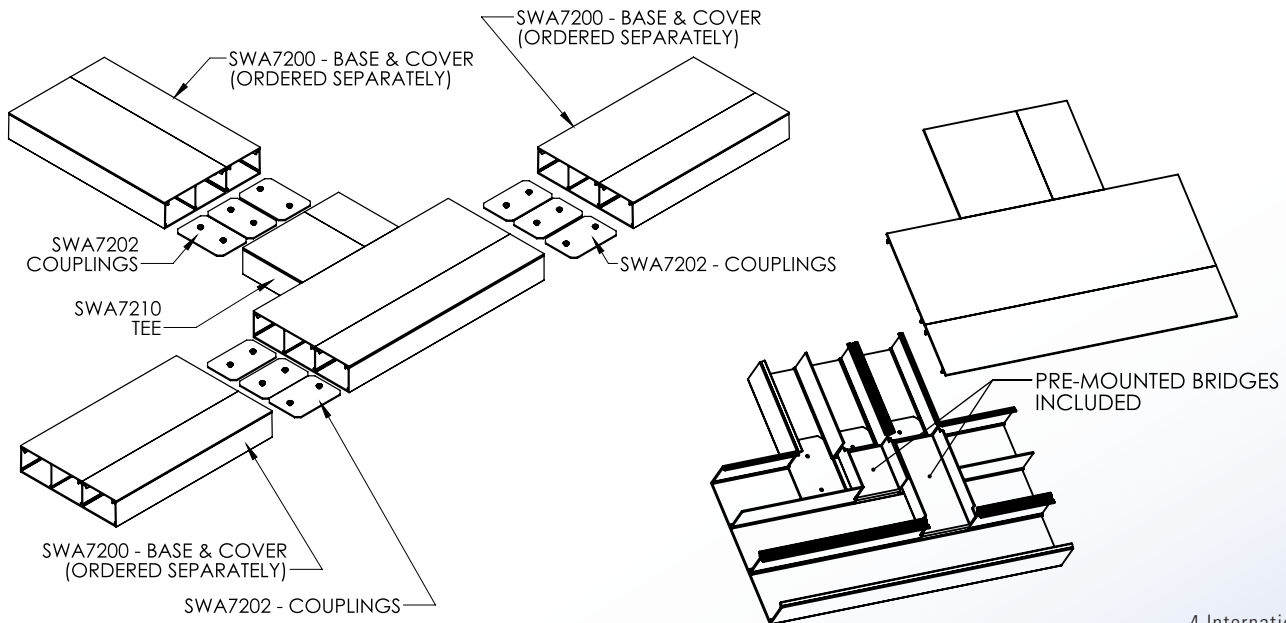
STANDARD TEE OFFERING
WITH SINGLE CHANNEL ON BOTTOM
AND CONNECTED VERTICALLY ON RIGHT

Notes

- 1.) For connecting 3 pieces of SWA7200 series base.
- 2.) Standard configuration shown. Additional tee configurations are available such as: *single channel on top and or *single channel on right. Please speak with MonoSystems to choose.
- 3.) Installation: Connect SWA7210 divided tee to SWA7200 base sections using SWA7202 couplings (included). secure elbow to base by tightening #8-32 pan head screws. Snap cover into place.
- 5.) Views for reference - do not scale.

Material

#6063-T6 Extruded Aluminum, Satin Anodized Finish.



4 International Drive
Rye Brook, NY 10573
Toll Free: 1 888.764.7681
Phone: 914.934.2075
Fax: 914.934.2190
MonoSystems.com

