

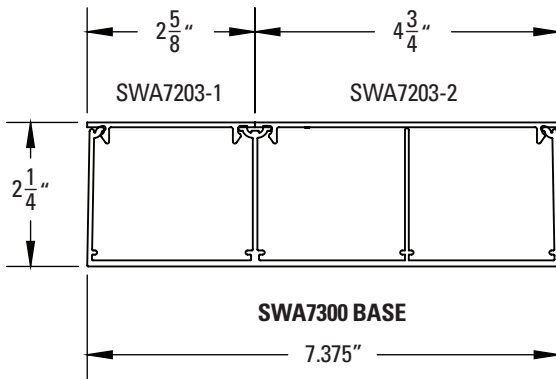
Surface Raceway / Aluminum SWA7203-1CPO

SnapWay™

Manufactured in the USA by MonoSystems, Inc.



WHEN USED WITH SWA7300 BASE



SWA7300 SERIES
3 COMPARTMENT
ALUMINUM RACEWAY
SECTION VIEW
SATIN ANODIZE FINISH
(EACH ORDERED SEPARATELY)

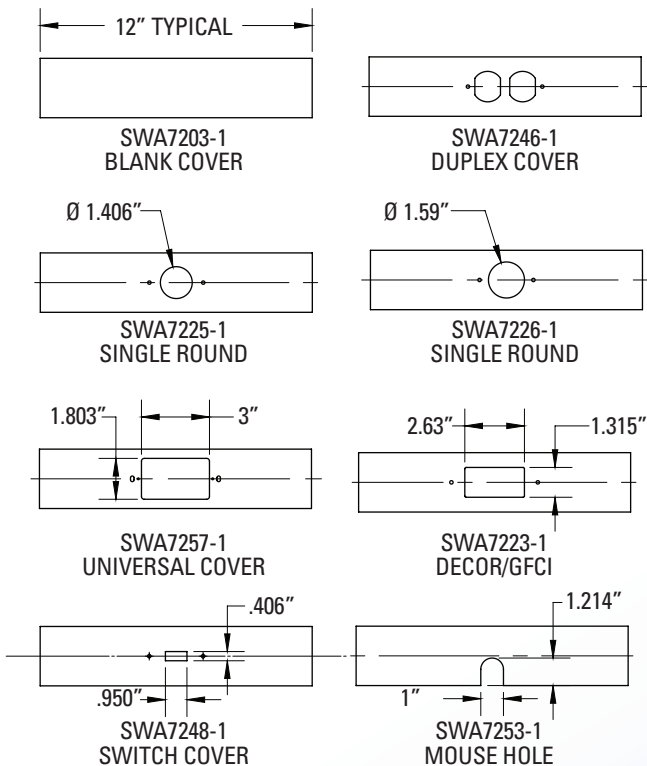
COVER PLATE OPTIONS

Notes

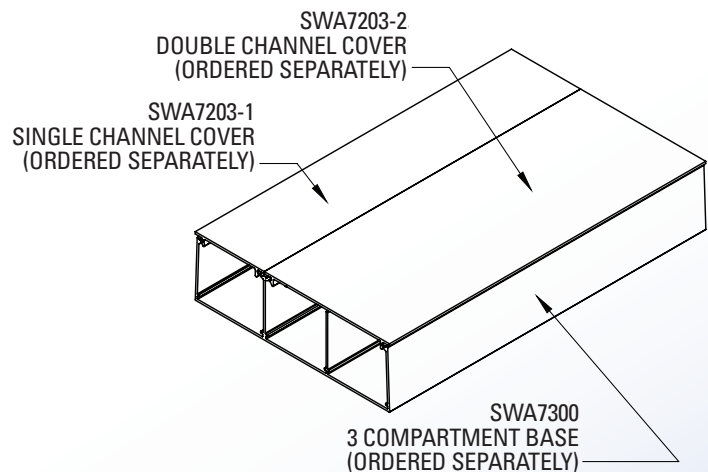
- 1.) Assembly instructions: Rigidly secure base section to structural building member or wall construction at 18" maximum mounting centers. Engineer to verify fasteners and mounting interval based on mounting surface construction (hardware by others).
- 2.) Views for reference - do not scale.

Material

#6063-T6 Extruded Aluminum, Satin Anodized Finish.



FOR CLASS 2 CIRCUITS ONLY PROVIDED WITH RUBBER GROMMET



4 International Drive
Rye Brook, NY 10573
Toll Free: 1 888.764.7681
Phone: 914.934.2075
Fax: 914.934.2190
MonoSystems.com



MonoSystems™
wire management. managed.