

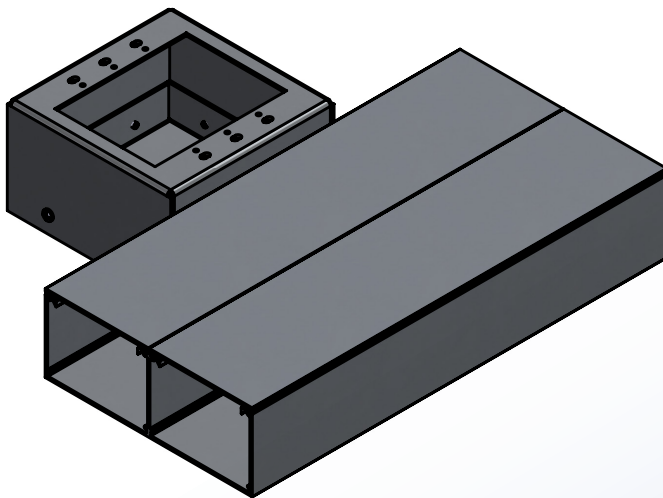
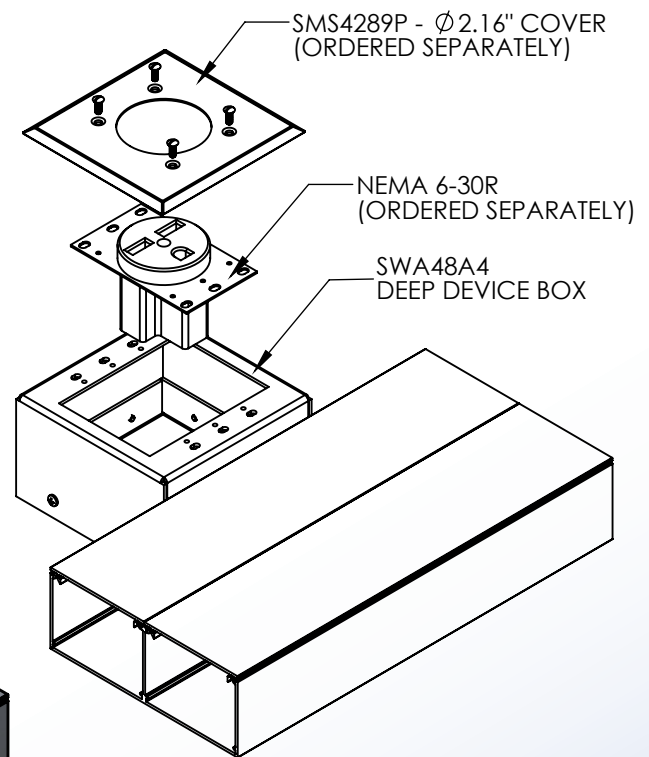
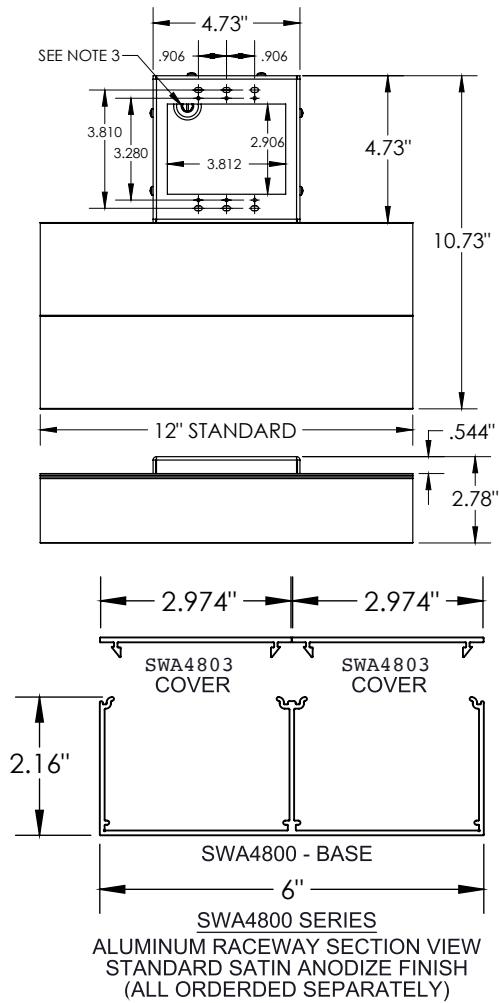
Surface Raceway / Aluminum SWA48A4

SnapWay™ Fittings
Manufactured by MonoSystems, Inc.

DEEP DEVICE BOX

Notes

- 1.) Use for mounting a large device such as a 6-30R to SWA4800 Series Raceway. Can be mounted such that the device box is above or below raceway.
- 2.) Remove cover and connect SWA48A4 to SWA4800 base sections using SWA4802 couplings (couplings ordered separately), 2 pair required.
- 3.) Secure fitting to base sections by tightening #8-32x3/16" screws. Attach grounding wire to #10-32 ground screw in box.
- 4.) Firmly press cover into place ensuring that both sides are completely snapped into base section.
- 5.) Views for reference - do not scale.



4 International Drive
Rye Brook, NY 10573
Toll Free: 1 888.764.7681
Phone: 914.934.2075
Fax: 914.934.2190
MonoSystems.com

