

Surface Raceway / Aluminum SWA4353

Snap Way™ Accessories

Manufactured by MonoSystems, Inc.

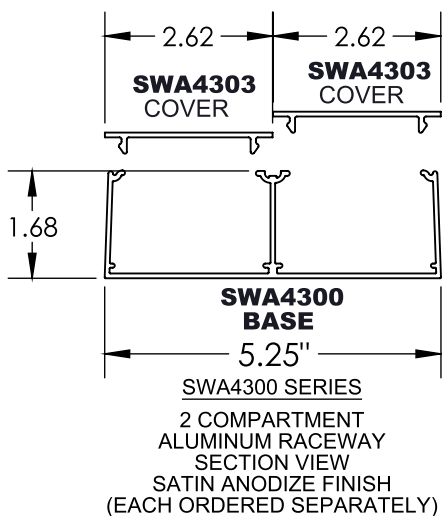
"MOUSE HOLE" COVER PLATE

General Information

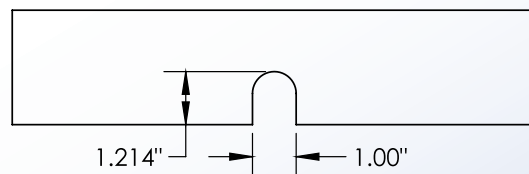
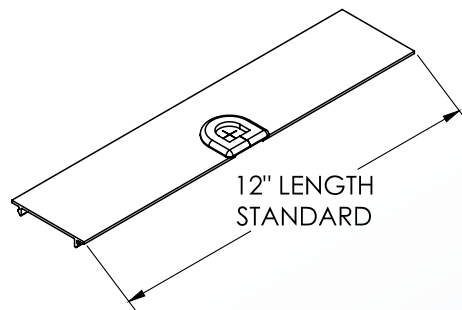
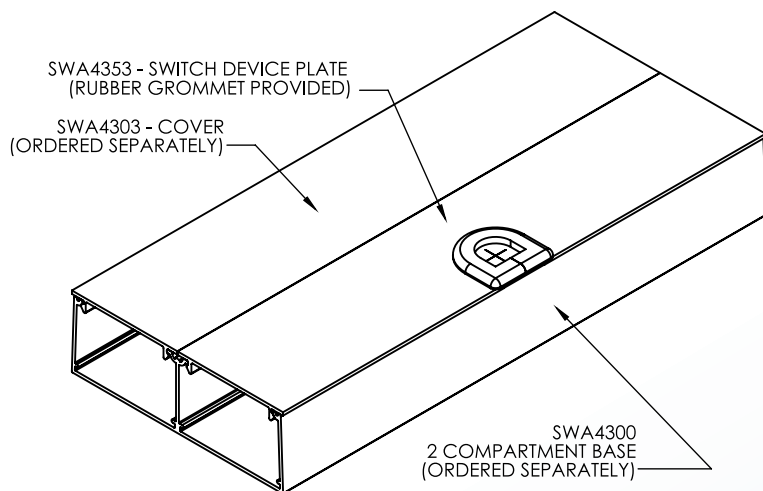
- 1.) Assembly instructions: firmly press cover into place ensuring that both sides are completely snapped into base section.
- 2.) To remove cover: gently pry upward on base and cover seam with a non-abrasive tool such as a plastic putty knife.
- 3.) For low voltage cable exit - class 2 circuits only.
- 4.) Views for reference - do not scale.

Material

#6063-T6 extruded aluminum, satin anodized finish.



UL LISTED
FILE: E167318



4 International Drive
Rye Brook, NY 10573
Toll Free: 1 888.764.7681
Phone: 914.934.2075
Fax: 914.934.2190
MonoSystems.com

