

Surface Raceway / Aluminum SWA32WC

SnapWay™ Accessories

Manufactured by MonoSystems, Inc.

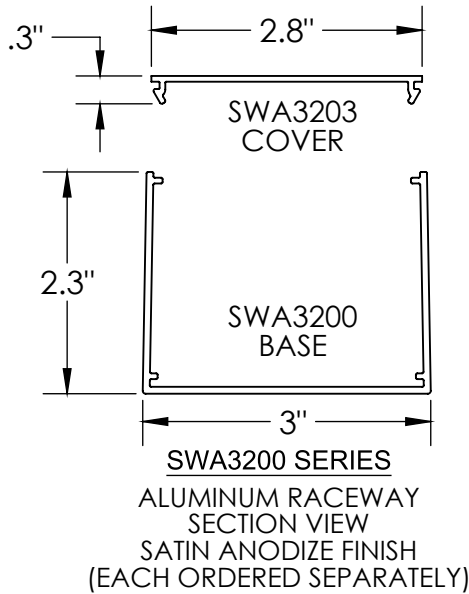
WIRE CLIP

Notes

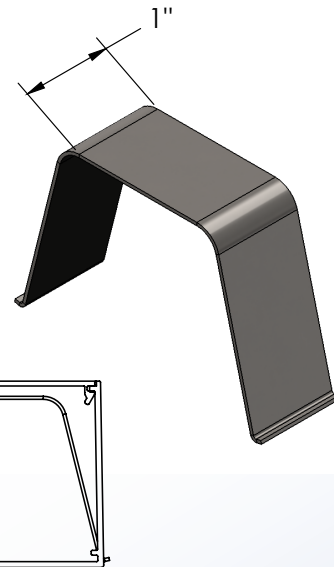
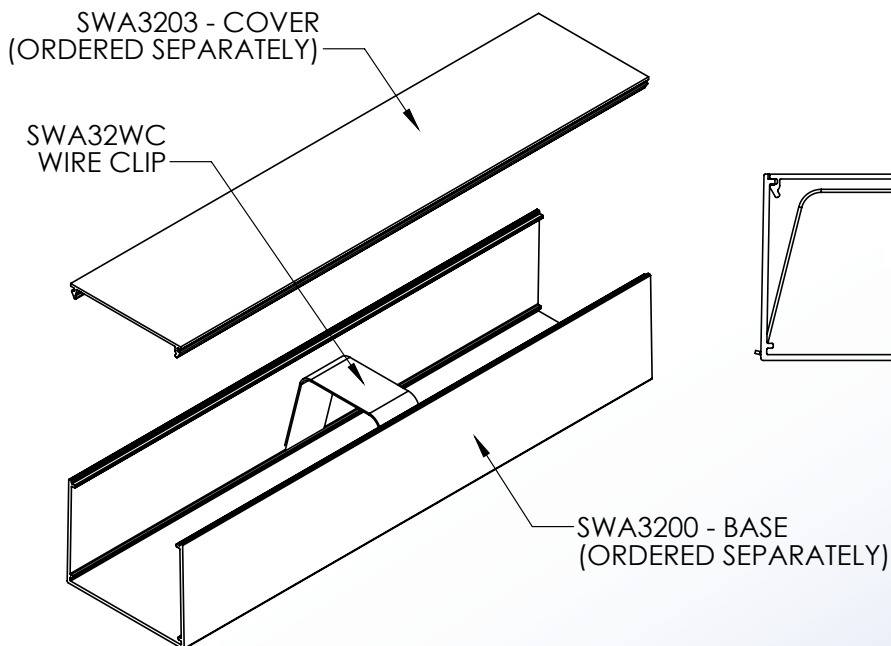
- 1.) Install wire clip around wire inside of raceway by inserting one edge into inner bottom lip (as shown). Gently compress wire clip and install into adjacent bottom lip.
- 2.) Views for reference - do not scale.

Material

20Ga Stainless Steel.



UL LISTED
FILE: E167318



4 International Drive
Rye Brook, NY 10573
Toll Free: 1 888.764.7681
Phone: 914.934.2075
Fax: 914.934.2190
MonoSystems.com

