

# Surface Raceway / Aluminum SWA32GC

## SnapWay™ Accessories

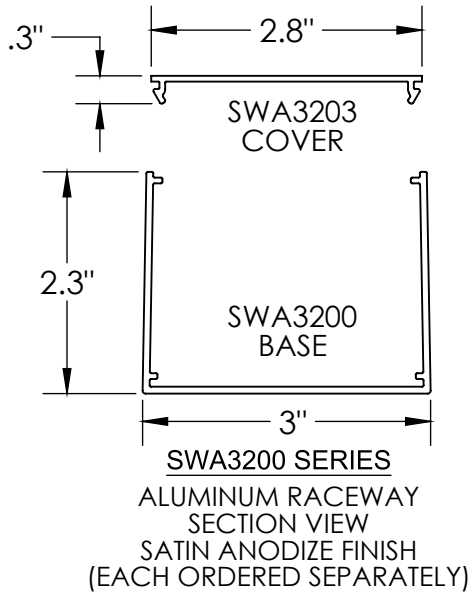
Manufactured by MonoSystems, Inc.

### GROUNDING ADAPTOR

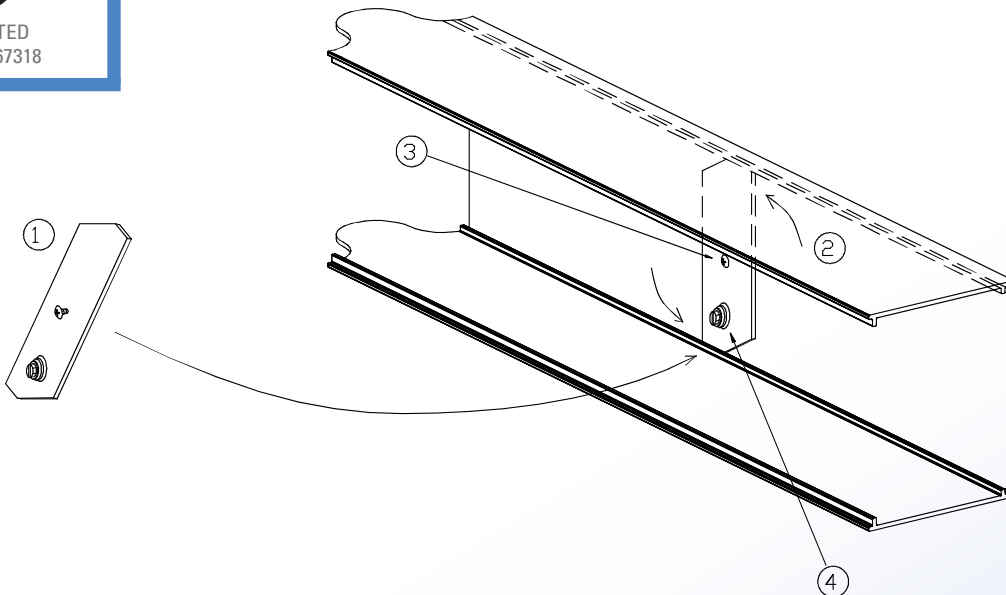
Use to attach incoming ground to Raceway base assemblies and / or to individual receptacles per local codes.

#### Assembly Instructions

- 1.) Insert grounding adaptor into base section at angle as shown.
- 2.) Rotate grounding adaptor underneath base flanges as shown.
- 3.) Secure grounding adaptor to base by tightening indicated 8-32 screw.
- 4.) Attach ground leads as required per local codes to green 10-32 ground screw.



UL LISTED  
FILE: E167318



4 International Drive  
Rye Brook, NY 10573  
Toll Free: 1 888.764.7681  
Phone: 914.934.2075  
Fax: 914.934.2190  
MonoSystems.com

