

Surface Raceway / Aluminum SWA3245A

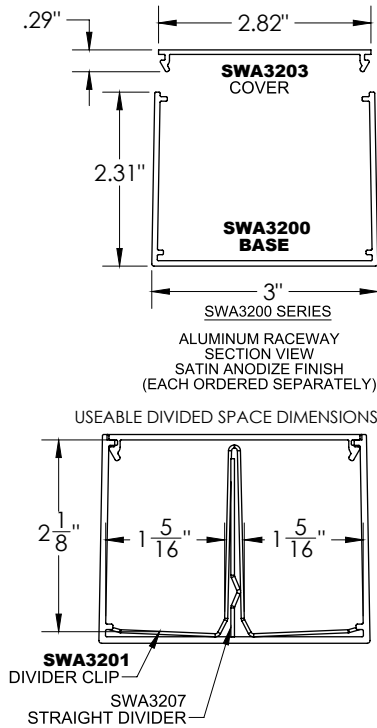
SnapWay™

Manufactured by MonoSystems, Inc.

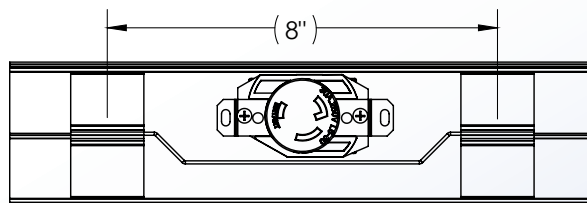
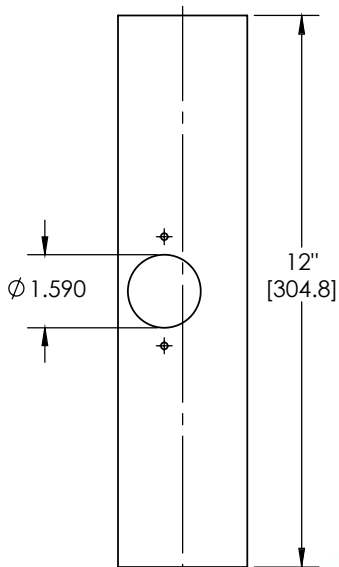
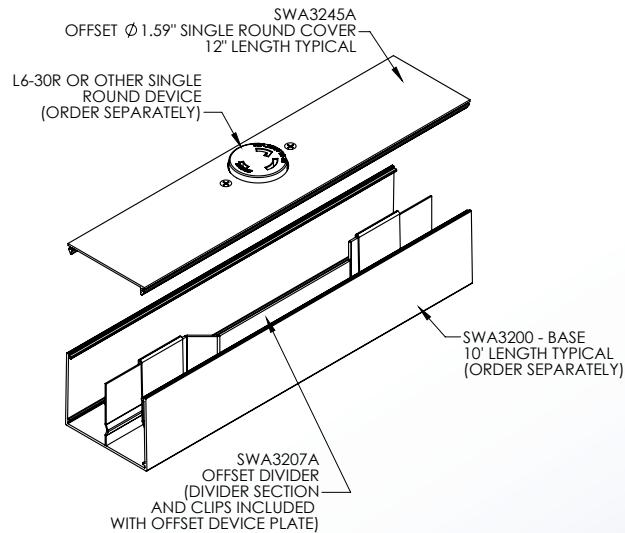
Ø 1.59" SINGLE ROUND

Notes

- 1.) Terminate device wiring and ground per nec and local codes.
- 2.) Secure device to plate.
- 3.) Assembly instructions: firmly press cover into place ensuring that both sides are completely snapped into base section.
- 4.) Material: #6063-T6 extruded aluminum, satin anodized finish. Nominal wall thickness: 0.060".
- 5.) Views for reference - do not scale.



UL LISTED
FILE: E167318



4 International Drive
Rye Brook, NY 10573
Toll Free: 1 888.764.7681
Phone: 914.934.2075
Fax: 914.934.2190
MonoSystems.com

