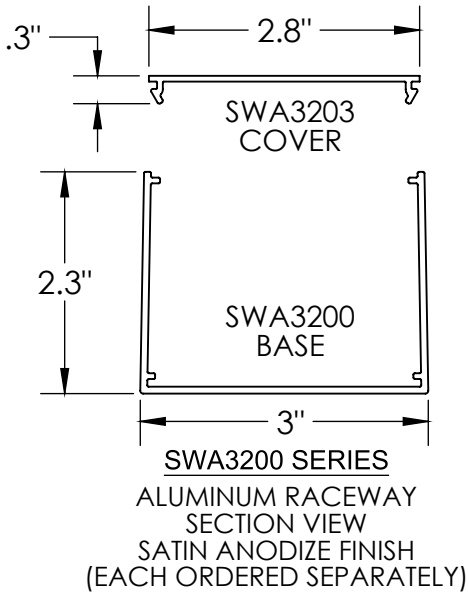


# Surface Raceway / Aluminum SWA3245

## SnapWay™ Accessories

Manufactured by MonoSystems, Inc.

### SINGLE RECEPTACLE PLATE



#### Assembly Instructions

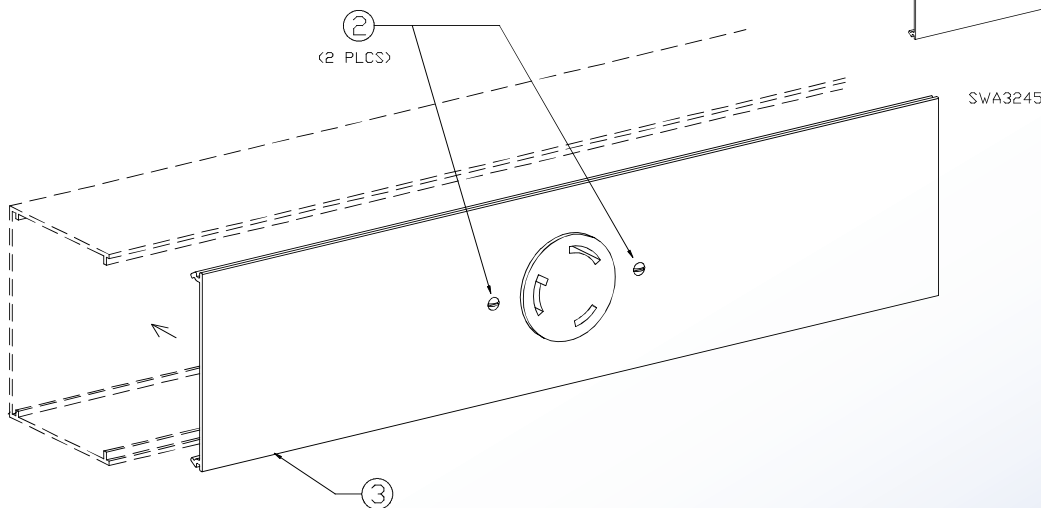
- 1.) Terminate device wiring and ground per NEC and local codes (by others).
- 2.) Secure device to plate (device and hardware by others).
- 3.) Snap cover into place.

#### Material

#6063-T6 Extruded Aluminum. Nominal Wall Thickness 0.060".  
Satin Anodized Finish.



UL LISTED  
FILE: E167318



4 International Drive  
Rye Brook, NY 10573  
Toll Free: 1 888.764.7681  
Phone: 914.934.2075  
Fax: 914.934.2190  
MonoSystems.com

