

Surface Raceway / Aluminum SWA3223

SnapWay™ Accessories

Manufactured by MonoSystems, Inc.

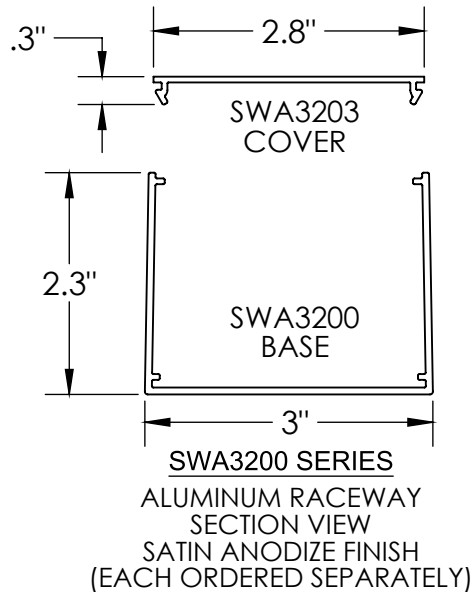
RECTANGULAR PLATE

Assembly Instructions

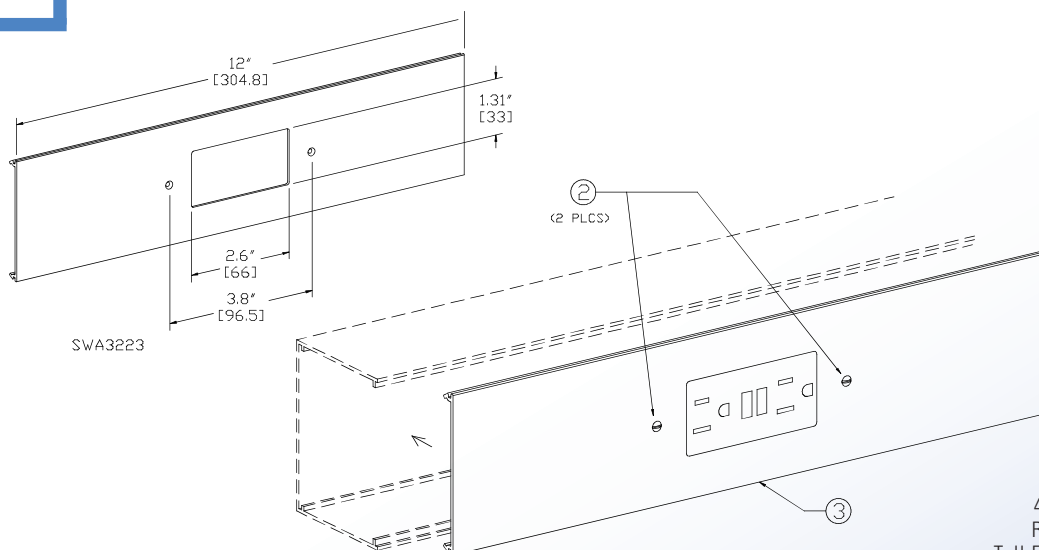
- 1.) Terminate device wiring and ground per NEC and local codes (by others).
- 2.) Secure device to plate (device and hardware by others).
- 3.) Snap cover into place.

Material

#6063-T6 Extruded Aluminum. Nominal Wall Thickness 0.060".
Satin Anodized Finish.



UL LISTED
FILE: E167318



4 International Drive
Rye Brook, NY 10573
Toll Free: 1 888.764.7681
Phone: 914.934.2075
Fax: 914.934.2190
MonoSystems.com

