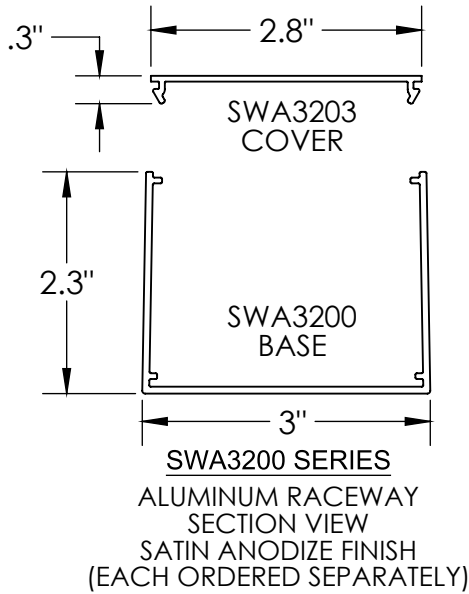


Surface Raceway / Aluminum SWA3217

SnapWay™ Fittings
Manufactured by MonoSystems, Inc.

INVERTED ELBOW



Notes

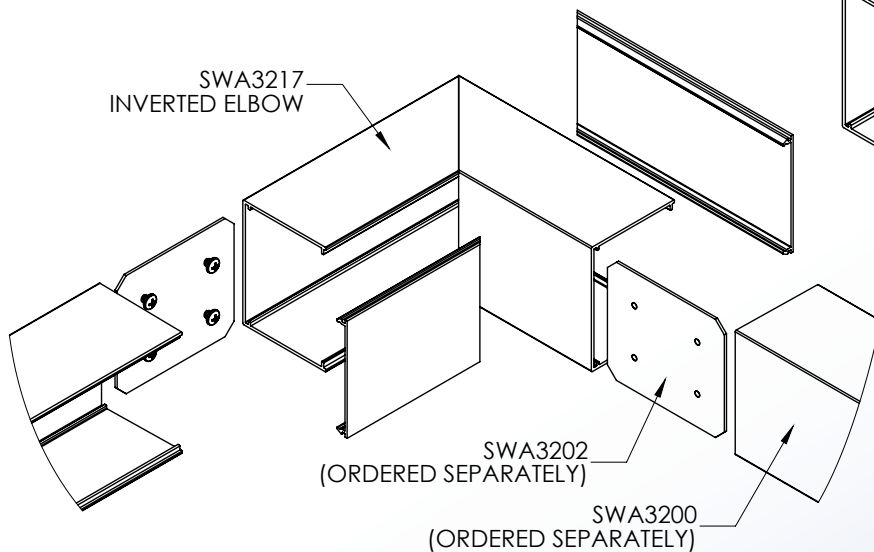
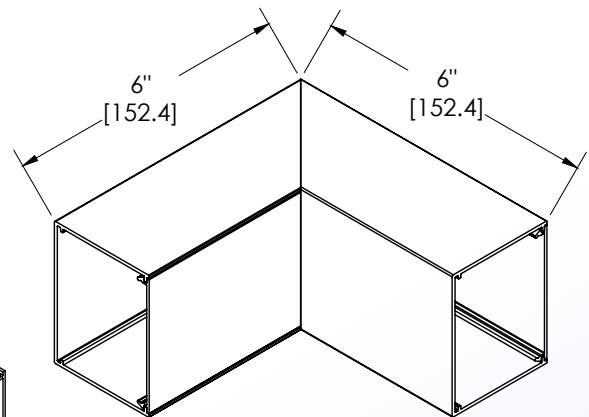
- 1.) Remove cover and connect SWA3217 to swa3200 base sections using SW3202 couplings (couplings ordered separately), 2 required.
- 2.) Secure elbow to base sections by tightening 8-32 x 3/16" screws (8 places TYP).
- 3.) Firmly press cover into place ensuring that both sides are completely snapped into base section
- 4.) Views for reference - do not scale.

Material

#6063-T6 Extruded Aluminum, Satin Anodized Finish.



UL LISTED
FILE: E167318



4 International Drive
Rye Brook, NY 10573
Toll Free: 1 888.764.7681
Phone: 914.934.2075
Fax: 914.934.2190
MonoSystems.com

