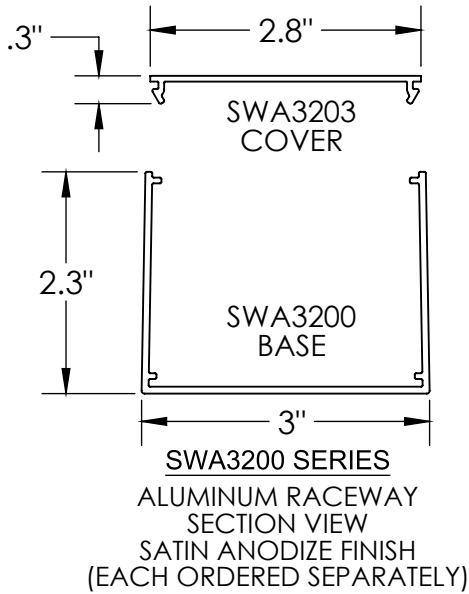


# Surface Raceway / Aluminum SWA3213

## SnapWay™ Fittings

Manufactured by MonoSystems, Inc.

### 45° EXTERNAL ELBOW



#### Assembly Instructions

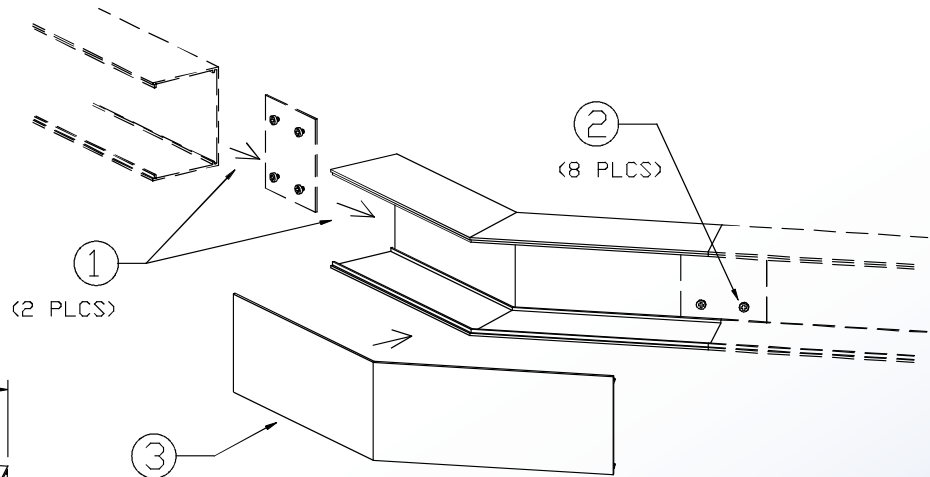
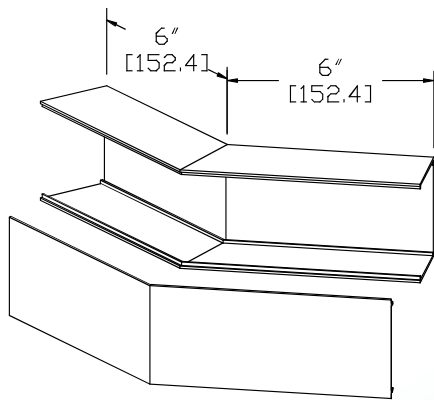
- 1.) Connect SWA3213 to SWA3200 base sections using SWA3202 (ordered separately) couplings (2 places TYP).
- 2.) Secure elbow to base sections by tightening 8-32 x 3/16" screws (8 places TYP).
- 3.) Snap cover into place.

#### Material

#6063-T6 Extruded Aluminum. Nominal Wall Thickness 0.060".  
Satin Anodized Finish.



UL LISTED  
FILE: E167318



4 International Drive  
Rye Brook, NY 10573  
Toll Free: 1 888.764.7681  
Phone: 914.934.2075  
Fax: 914.934.2190  
MonoSystems.com

