

Surface Raceway / Aluminum SWA3206

SnapWay™ Accessories

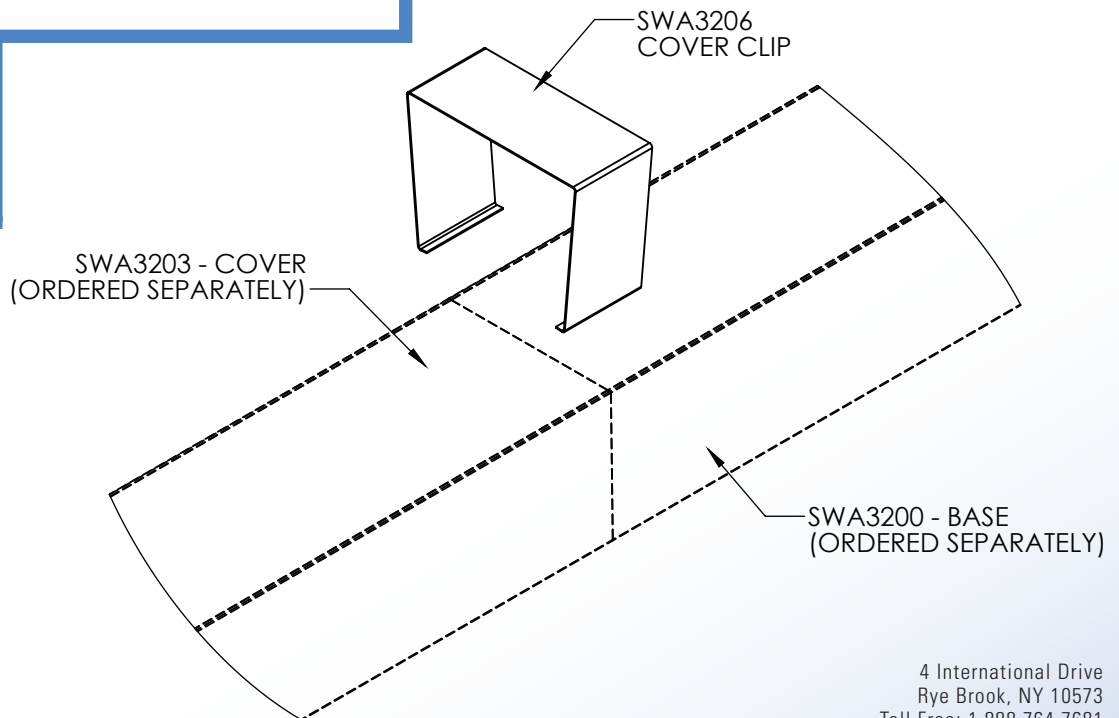
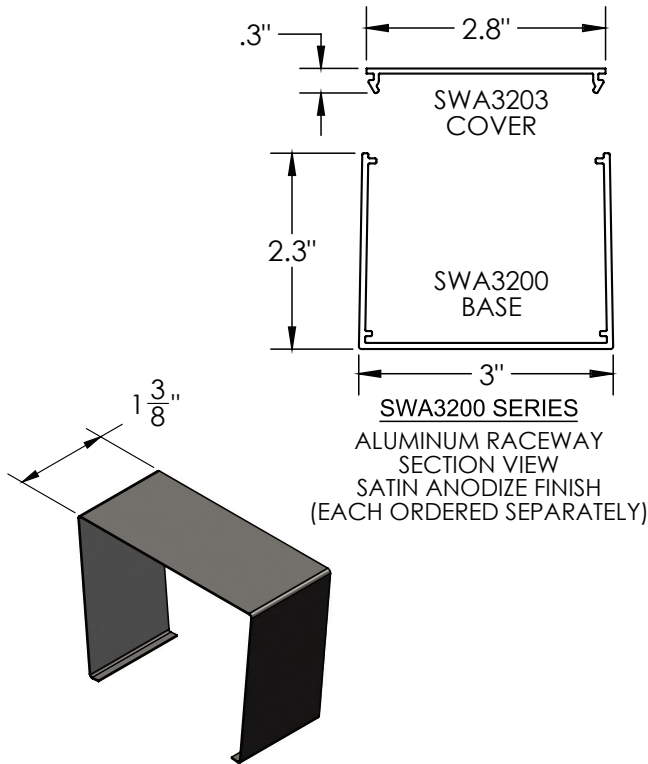
Manufactured in the USA by MonoSystems, Inc.



SEAM COVER CLIP

Notes

- 1.) Attach seam cover clip at sections where covers meet.
- 2.) Material: 26ga 304 stainless steel.
- 3.) Views for reference - do not scale.



4 International Drive
Rye Brook, NY 10573
Toll Free: 1 888.764.7681
Phone: 914.934.2075
Fax: 914.934.2190
MonoSystems.com



MonoSystems
wire management. managed.