

Surface Raceway / Aluminum SWA3203

SnapWay™ Accessories

Manufactured by MonoSystems, Inc.

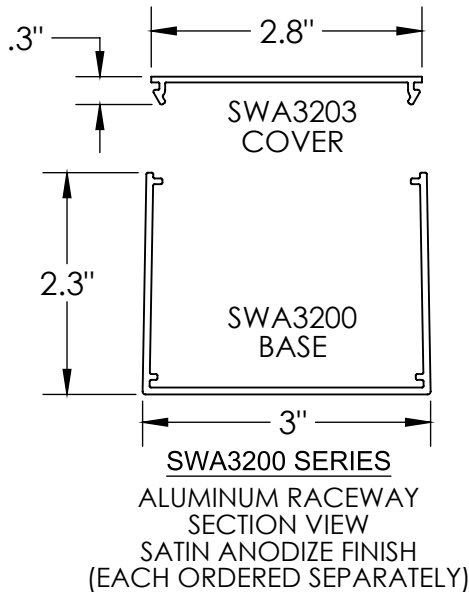
COVER PLATE OPTIONS

Notes

- 1.) Assembly instructions: Firmly press cover into place ensuring that both sides are completely snapped into base section.
- 2.) All Covers Come 12" Standard Unless Specified Otherwise.
- 3.) To remove cover: Gently pry upward on base and cover seam with a non-abrasive tool such as a plastic putty knife.
- 4.) Views for reference - do not scale.

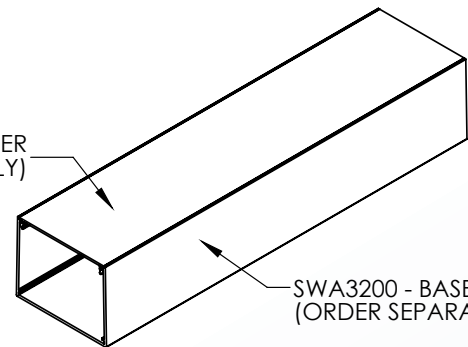
Material

#6063-T6 Extruded Aluminum, Satin Anodized Finish.

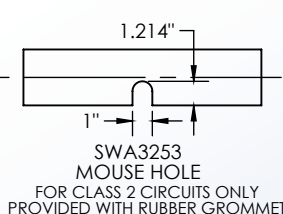
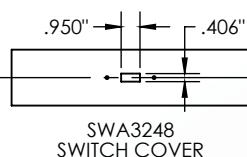
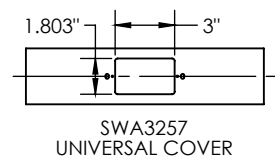
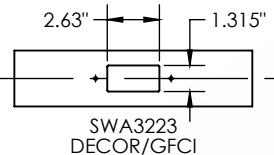
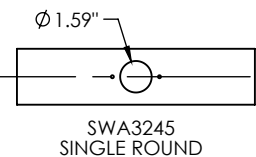
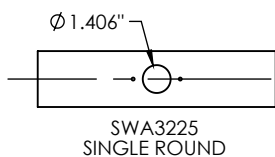
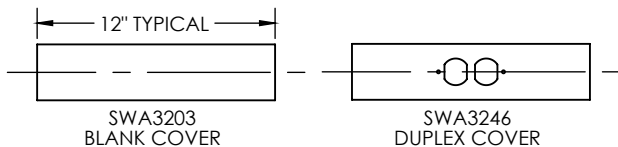


UL LISTED
FILE: E167318

SWA3203 - COVER
(ORDER SEPARATELY)



SWA3200 - BASE
(ORDER SEPARATELY)



4 International Drive
Rye Brook, NY 10573
Toll Free: 1 888.764.7681
Phone: 914.934.2075
Fax: 914.934.2190
MonoSystems.com

