

# Surface Raceway / Aluminum SWA3203

SnapWay™

Manufactured by MonoSystems, Inc.

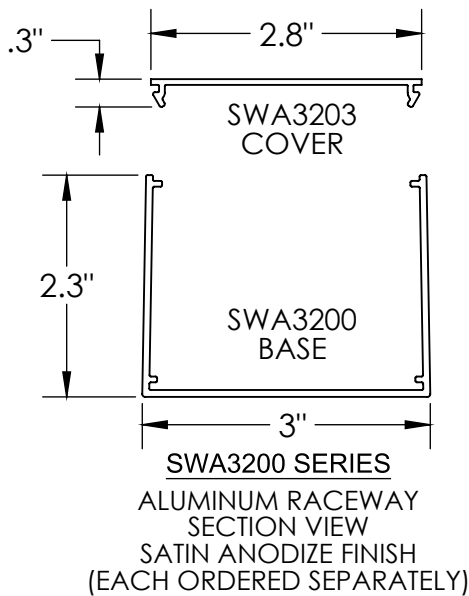
## COVER SECTION

### Assembly Instructions

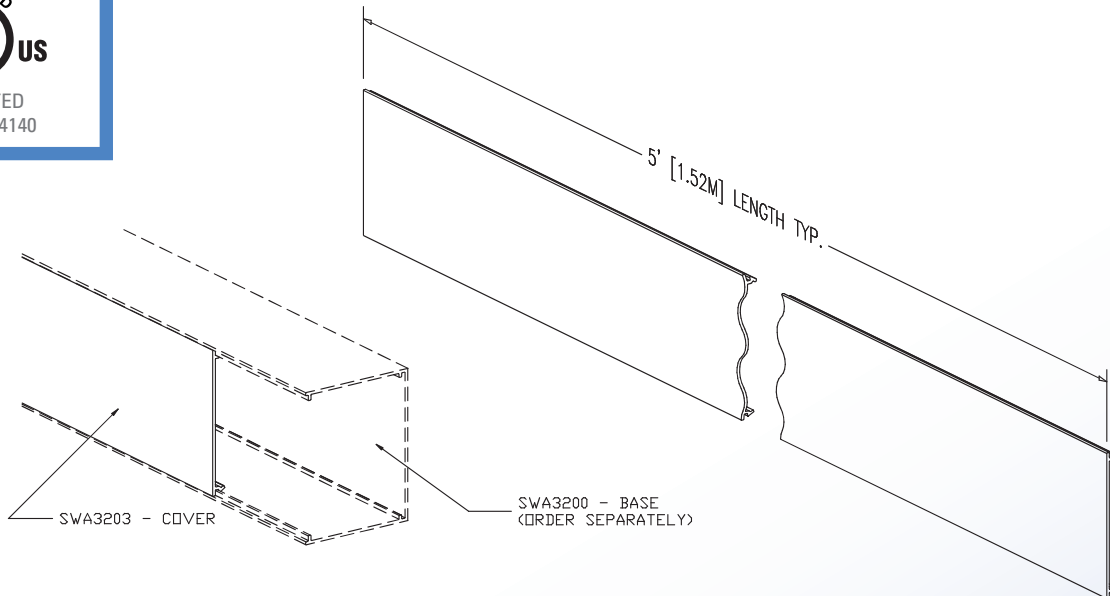
- 1.) Firmly press cover into place ensuring that both sides are completely snapped into base section.
- 2.) To remove: Gently pry upward on base and cover seam with a non-abrasive tool such as plastic putty knife.
- 3.) Views for reference - do not scale.

### Material

#6063-T6 Extruded Aluminum. Nominal Wall Thickness 0.060".  
Satin Anodized Finish.



UL LISTED  
FILE: E164140



4 International Drive  
Rye Brook, NY 10573  
Toll Free: 1 888.764.7681  
Phone: 914.934.2075  
Fax: 914.934.2190  
MonoSystems.com

