

Surface Raceway / Aluminum SWA3201

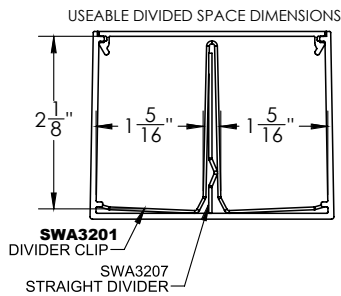
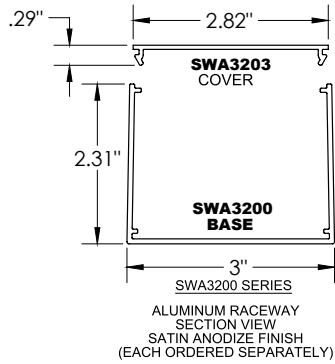
SnapWay™

Manufactured by MonoSystems, Inc.

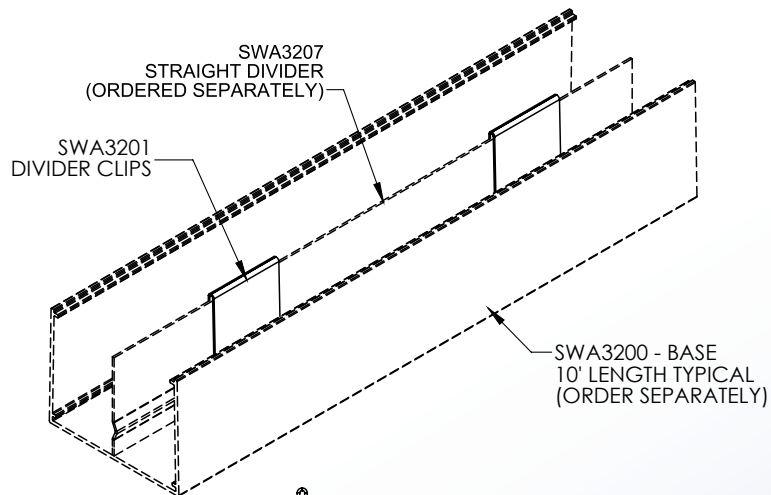
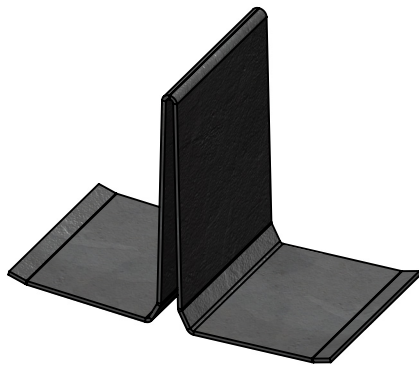
DIVIDER CLIPS

Notes

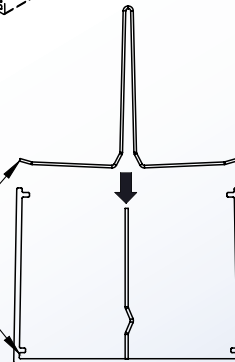
- 1.) Ordered as each.
- 2.) Use to secure SWA3207 straight divider or SWA3207A offset divider to raceway. MonoSystems recommends using divider clips no more than 30" O.C. apart when mounting straight divider and no more than 9" O.C. apart when mounting offset divider.
- 3.) Assembly instructions: place clip/s centered over divider, pinch clip and position bottom edges under ribs of base. Release into place ensuring that both sides are completely snapped into base section.
- 4.) Divider clip material: galv. steel.
- 5.) Views for reference - do not scale.



UL LISTED
FILE: E167318



SEE NOTE 3



4 International Drive
Rye Brook, NY 10573
Toll Free: 1 888.764.7681
Phone: 914.934.2075
Fax: 914.934.2190
MonoSystems.com

