

Surface Raceway / Aluminum SWA3200

SnapWay™

Manufactured in the USA by MonoSystems, Inc.



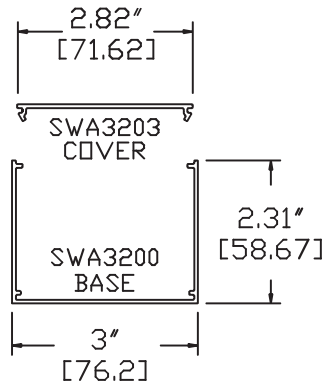
ALUMINUM SURFACE RACEWAY

Assembly Instructions

- 1.) Rigidly secure base section to structural building member or wall construction at 18" maximum mounting centers. Engineer to verify fasteners and mounting interval based on mounting surface construction (hardware by others).
- 2.) Views for reference - do not scale.

Material

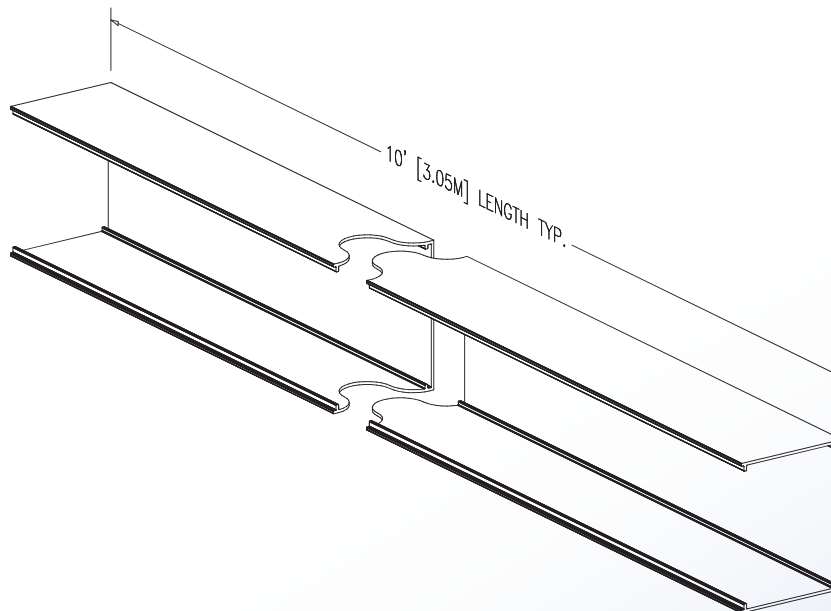
#6063-T6 Extruded Aluminum, Nominal Wall Thickness 0.060". Satin Anodized Finish.



SWA3200 SERIES
ALUMINUM RACEWAY - SECTION
(EACH ORDERED SEPARATELY)



UL LISTED
FILE: E164140



4 International Drive
Rye Brook, NY 10573
Toll Free: 1 888.764.7681
Phone: 914.934.2075
Fax: 914.934.2190
MonoSystems.com



MonoSystems™
wire management. managed.™