

# Surface Raceway / Aluminum SWA3200

SnapWay™

Manufactured by MonoSystems, Inc.

## ALUMINUM RACEWAY FILL RATE

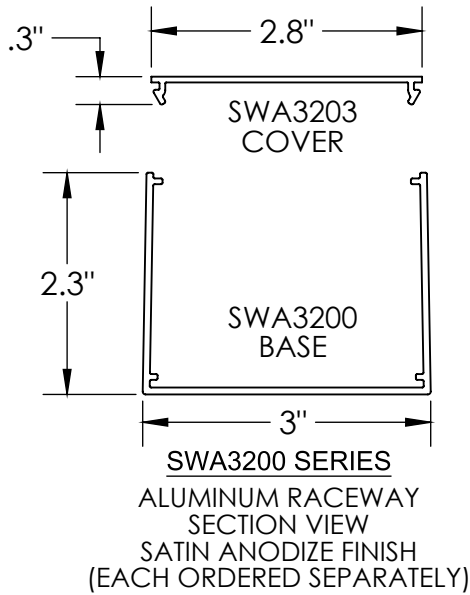
### Notes

1.) Assembly instructions: Rigidly secure base section to structural building member or wall construction at 18" maximum mounting centers. Engineer to verify fasteners and mounting interval based on mounting surface construction (hardware by others).

2.) Views for reference - do not scale.

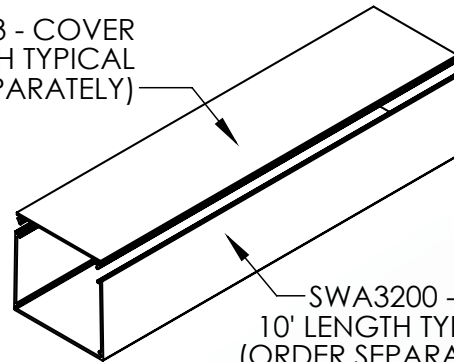
### Material

#6063-T6 Extruded Aluminum, Satin Anodized Finish.



UL LISTED  
FILE: E164140

SWA3203 - COVER  
5' LENGTH TYPICAL  
(ORDER SEPARATELY)



SWA3200 - BASE  
10' LENGTH TYPICAL  
(ORDER SEPARATELY)

SWA3200 SERIES FILL CAPACITY					POWER					
CABLE TYPE	CABLE/WIRE SIZE	APPROX. O.D. Ø INCHES [mm]	20% FILL	40% FILL	WIRE SIZE THHN/THWN	WITH DEVICES	WITHOUT DEVICES			
UNSHIELDED TWISTED PAIR (UTP)	4-PAIR, 24 AWG, CAT 3	0.190 [4.8]	44	88	6 AWG	34	47			
	4-PAIR, 24 AWG, CAT 5e	0.210 [5.3]	33	65						
TELEPHONE	2-PAIR, 24 AWG	0.140 [3.5]	82	163				8 AWG	47	67
	3-PAIR, 24 AWG	0.150 [3.8]	71	141						
	4-PAIR, 24 AWG	0.190 [4.8]	44	88						
	25-PAIR, 24 AWG	0.410 [10.3]	91	8						
COAXIAL CABLES	RG58/U 18 GAUGE0	.195 [4.7]	428	4		10 AWG	94	135		
	RG59/U 22 GAUGE0	.242 [6.1]	27	54						
	RG62/U 20 GAUGE0	.242 [6.1]	27	54						
	RG6/U 20 GAUGE0	.270 [6.8]	22	44						
TWINAXIAL	100 Ohm0	.330 [8.3]	14	28		12 AWG	148	214		
SHIELDED TWISTED PAIR	TYPE 1	0.390 [9.8]	10	21						
	TYPE 2	0.465 [11.0]	71	4						
	TYPE 9	0.245 [6.1]	26	52						
FIBER OPTIC	2-STRANDED (DUPLEX) MULTIMODE, 62.5/125µm	0.198 [4.8]	38	77	14 AWG	200	288			

4 International Drive  
Rye Brook, NY 10573  
Toll Free: 1 888.764.7681  
Phone: 914.934.2075  
Fax: 914.934.2190  
MonoSystems.com



**MonoSystems™**  
Expect. Direct.