

# Surface Raceway / Aluminum SWA2448

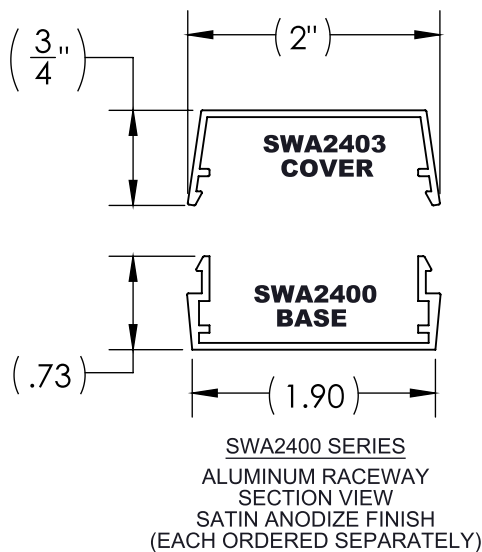
## SnapWay™ Accessories

Manufactured by MonoSystems, Inc.

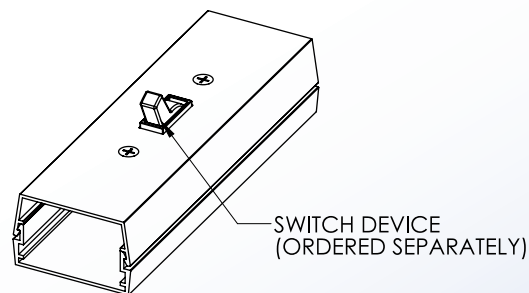
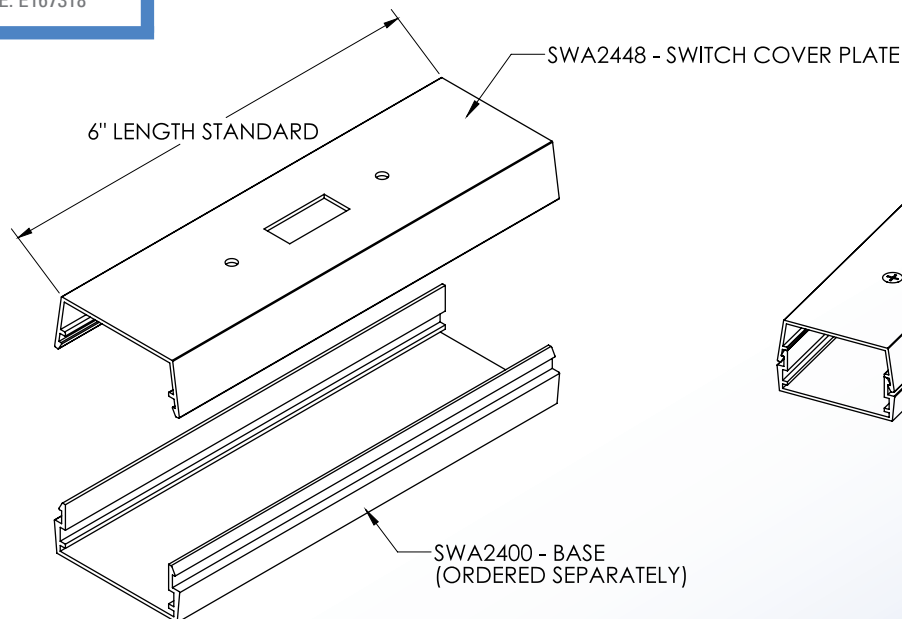
### SWITCH DEVICE PLATE

#### Notes

- 1.) Cover supplied as 6" standard length, for a different length add -XX to part number to specify. Example: SWA2448-12 = 12" long cover.
- 2.) Terminate device wiring and grounding per nec and local codes.
- 3.) Secure device (by others) to plate using provided #6-32 hardware.
- 4.) Snap cover into place.
- 5.) Cover material: 6063-t6 extruded aluminum.
- 6.) Views for reference - do not scale.



UL LISTED  
FILE: E167318



4 International Drive  
Rye Brook, NY 10573  
Toll Free: 1 888.764.7681  
Phone: 914.934.2075  
Fax: 914.934.2190  
MonoSystems.com

