

Surface Raceway / Aluminum SWA2446

SnapWay™ Accessories

Manufactured by MonoSystems, Inc.

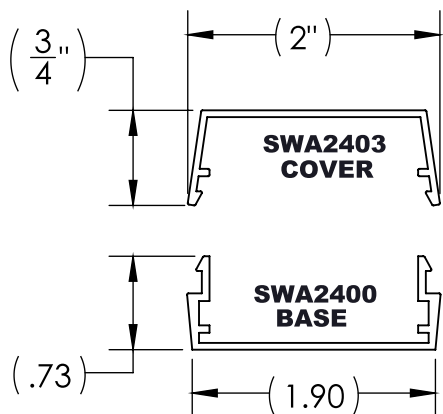
DUPLEX DEVICE PLATE

Notes

- 1.) Cover supplied as 6" standard length, for a different length add -XX to part number to specify. Example: SWA2446-12 = 12" long cover.
- 2.) Terminate device wiring and grounding per nec and local codes.
- 3.) Secure device (by others) to plate using provided #6-32 hardware.
- 4.) Snap cover into place.
- 5.) Views for reference - do not scale.

Material

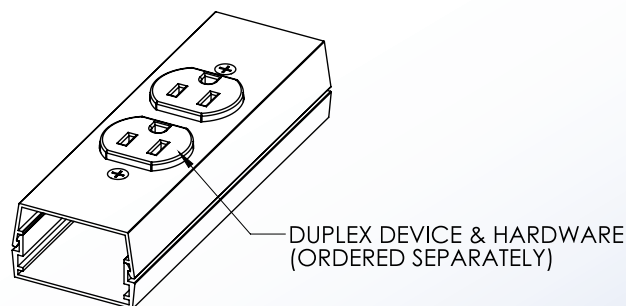
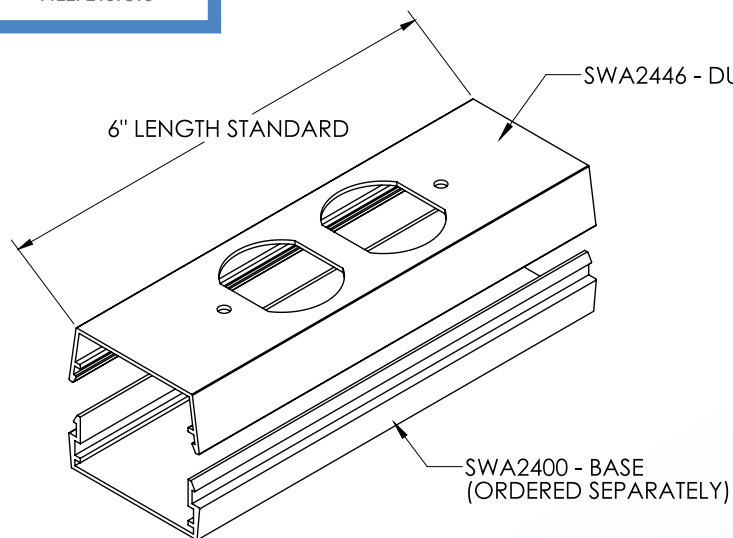
Cover- #6063-T6 Extruded Aluminum, Satin Anodized Finish.



SWA2400 SERIES
ALUMINUM RACEWAY
SECTION VIEW
SATIN ANODIZE FINISH
(EACH ORDERED SEPARATELY)



UL LISTED
FILE: E167318



4 International Drive
Rye Brook, NY 10573
Toll Free: 1 888.764.7681
Phone: 914.934.2075
Fax: 914.934.2190
MonoSystems.com

