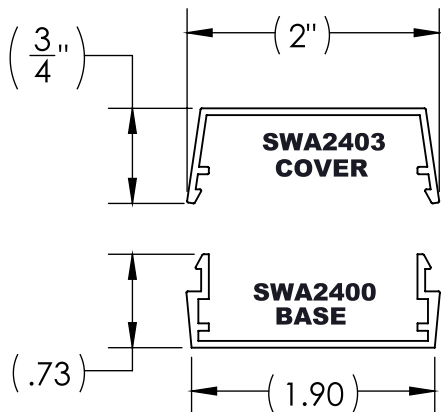


Surface Raceway / Aluminum SWA2425

SnapWay™ Accessories

Manufactured by MonoSystems, Inc.

SINGLE Ø1.406 HOLE DEVICE PLATE



SWA2400 SERIES
ALUMINUM RACEWAY
SECTION VIEW
SATIN ANODIZE FINISH
(EACH ORDERED SEPARATELY)

Notes

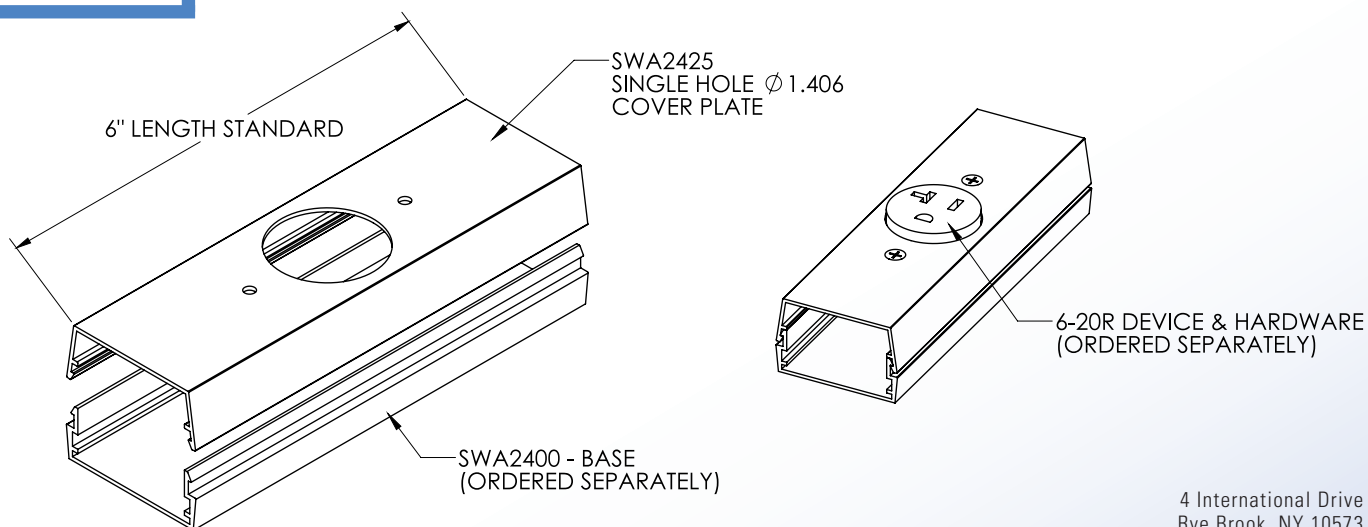
- 1.) Cover supplied as 6" standard length.
- 2.) Terminate device wiring and grounding per nec and local codes.
- 3.) Secure device (by others) to plate using provided #6-32 hardware.
- 4.) Snap cover into place.
- 5.) Views for reference - do not scale.

Material

Cover- #6063-T6 Extruded Aluminum, Satin Anodized Finish.



UL LISTED
FILE: E167318



4 International Drive
Rye Brook, NY 10573
Toll Free: 1 888.764.7681
Phone: 914.934.2075
Fax: 914.934.2190
MonoSystems.com

