

Surface Raceway / Steel SMS5786

SnapMark™ Fittings

Manufactured by MonoSystems, Inc.

ADJUSTABLE, OFFSET CONNECTOR

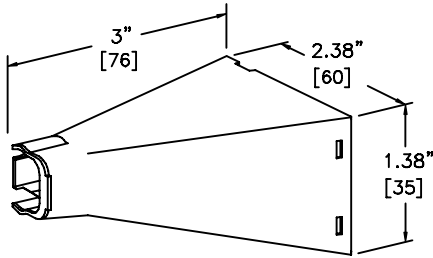
Notes

For use with SMS500 and SMS700 Raceways

- 1.) Use for connecting raceway to surface type panel box without offsetting. Adjustment from surface to center of bushings is 5/8" minimum to 1-3/8" maximum.

Material

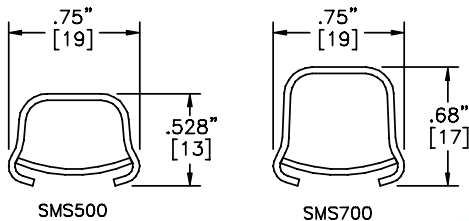
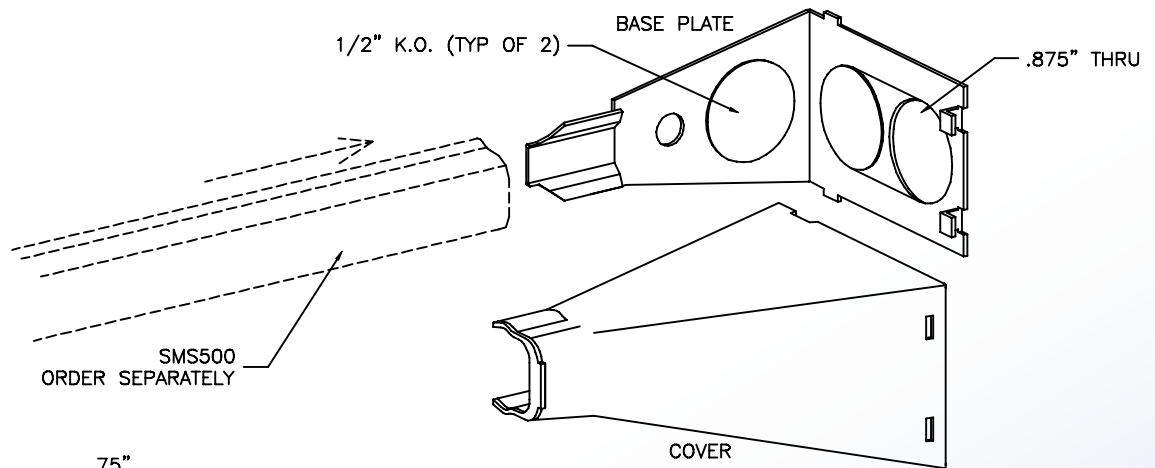
Steel - galv / ivory finish.



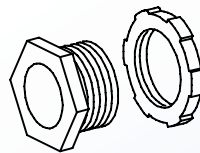
SMS5786
COMBINATION CONNECTOR



UL LISTED
FILE: E167318



SMS500 & SMS700 SERIES
STEEL RACEWAYS
SECTION VIEW
MATERIAL: .04" GALV.
STANDARD IVORY FINISH
EACH ORDERED SEPARATELY
SCALE: NONE



CHASE NIPPLE
/ LOCKNUT

4 International Drive
Rye Brook, NY 10573
Toll Free: 1 888.764.7681
Phone: 914.934.2075
Fax: 914.934.2190
MonoSystems.com

