

Surface Raceway / Steel SMS5782-82A

SnapMark™ Accessories

Manufactured by MonoSystems, Inc.

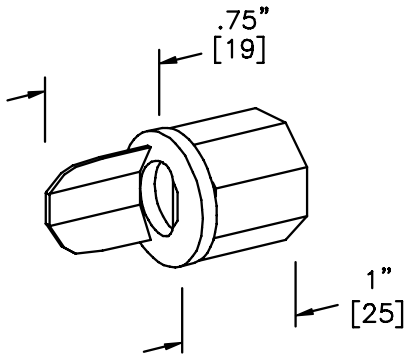
CONDUIT CONNECTOR

Notes

SMS5782 1/2" Male, SMS5782A 3/4" Male
Both for use with SMS500 and SMS700 Raceways

Material

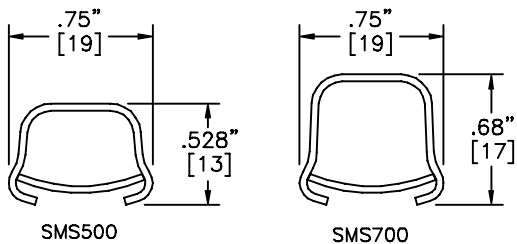
Cast aluminum / zinc diecast.



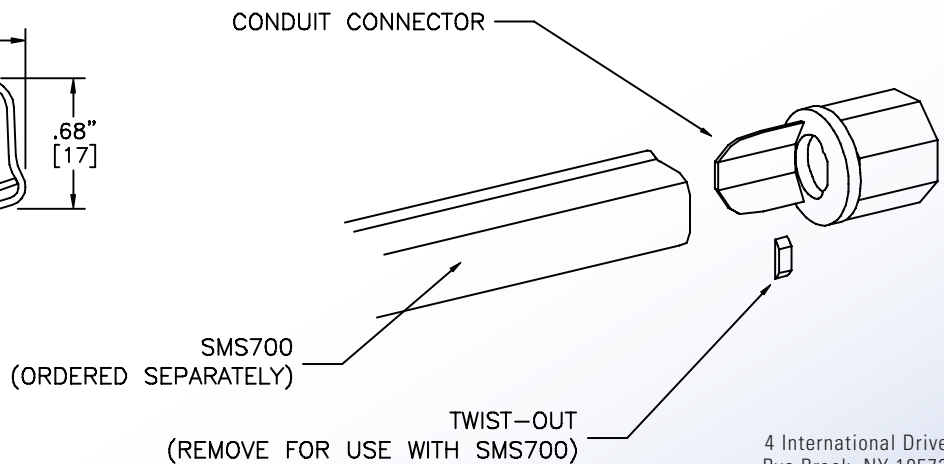
SMS5782 FOR (FOR 1/2" CONDUIT)
SMS5782A FOR (FOR 3/4" CONDUIT)



UL LISTED
FILE: E167318



SMS500 & SMS700 SERIES
STEEL RACEWAYS
SECTION VIEW
MATERIAL: .04" GALV.
STANDARD IVORY FINISH
EACH ORDERED SEPARATELY
SCALE: NONE



4 International Drive
Rye Brook, NY 10573
Toll Free: 1 888.764.7681
Phone: 914.934.2075
Fax: 914.934.2190
MonoSystems.com

