

Surface Raceway / Steel SMS57-DBE

SnapMark™ Accessories

Manufactured by MonoSystems, Inc.

DEVICE BOX EXTENSIONS

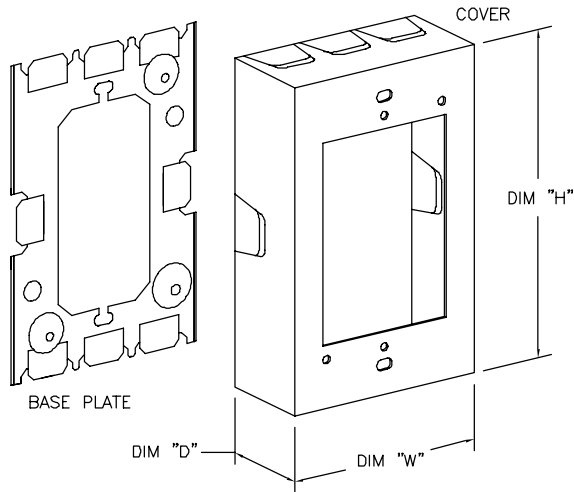
Notes

For use with SMS500 and SMS700 Raceways

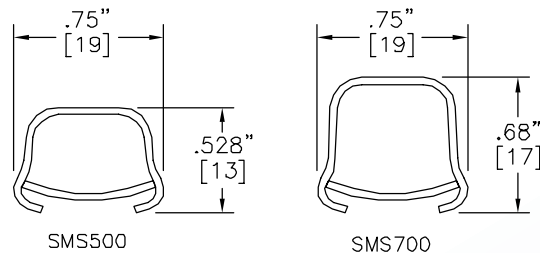
- 1.) For extensions from existing flush switch and receptacle boxes.
- 2.) 10-32 ground screw provided.

Material

Steel - galv / ivory finish.



UL LISTED
FILE: E167318



SMS500

SMS700

SMS500 & SMS700 SERIES
STEEL RACEWAYS
SECTION VIEW
MATERIAL: .04" GALV.
STANDARD IVORY FINISH
EACH ORDERED SEPARATELY
SCALE: NONE

MSI P/N:	DESCRIPTION	DIM "D"	DIM "W"	DIM "H"	GANG	CAPACITY (C.I.)
SMS5751	FLUSH TYPE EXTENSION ADAPTER	15/16"	2-7/8"	4-5/8"	1	12
SMS5751A	DEEP FLUSH TYPE EXTENSION ADAPTER	1-3/4"	2-7/8"	4-5/8"	1	23
SMS5751-2	FLUSH TYPE EXTENSION ADAPTER	15/16"	4-3/4"	4-3/4"	2	21
SMS5751-3	FLUSH TYPE EXTENSION ADAPTER	15/16"	6-1/2"	4-5/8"	3	28
SMS5760	FLUSH TYPE EXTENSION ADAPTER WITH BLANK COVER FOR DEVICE ABANDONMENT OR JUNCTION.	15/16"	2-7/8"	4-5/8"	1	12

4 International Drive
Rye Brook, NY 10573
Toll Free: 1 888.764.7681
Phone: 914.934.2075
Fax: 914.934.2190
MonoSystems.com

