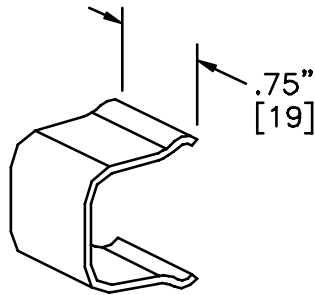


Surface Raceway / Steel SMS506-706

SnapMark™ Accessories

Manufactured by MonoSystems, Inc.

CONNECTION COVER



SMS706
CONNECTION COVER

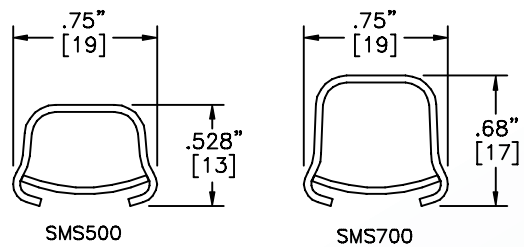
Notes

SMS506 for use with SMS500
SMS706 for use with SMS700

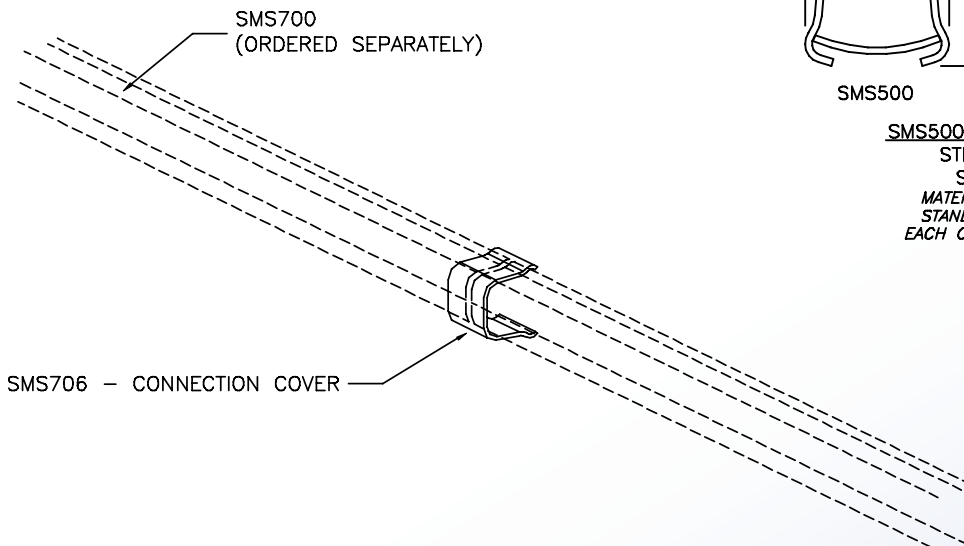
- 1.) Use to cover openings where unsquarely cut raceways meet.
- 2.) All exposed raceway / fitting surfaces are pre-painted ivory.



UL LISTED
FILE: E167318



SMS500 & SMS700 SERIES
STEEL RACEWAYS
SECTION VIEW
MATERIAL: .04" GALV.
STANDARD IVORY FINISH
EACH ORDERED SEPARATELY
SCALE: NONE



4 International Drive
Rye Brook, NY 10573
Toll Free: 1 888.764.7681
Phone: 914.934.2075
Fax: 914.934.2190
MonoSystems.com

