

Surface Raceway / Steel SMS42PCC

SnapMark™ Accessories

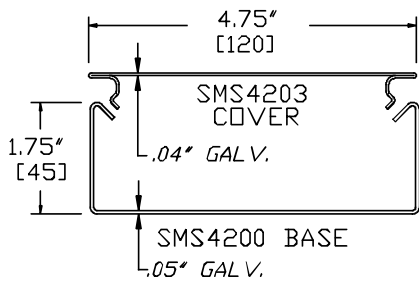
Manufactured by MonoSystems, Inc.

PRE-CUT COVER OPTIONS

Assembly Instructions

- 1.) Insert one edge of cover under lip of SMS4200 base.
- 2.) Firmly press cover into place ensuring that both sides are completely snapped into base section.

Available in standard Gray or Ivory (add "-I" suffix to specify Ivory).

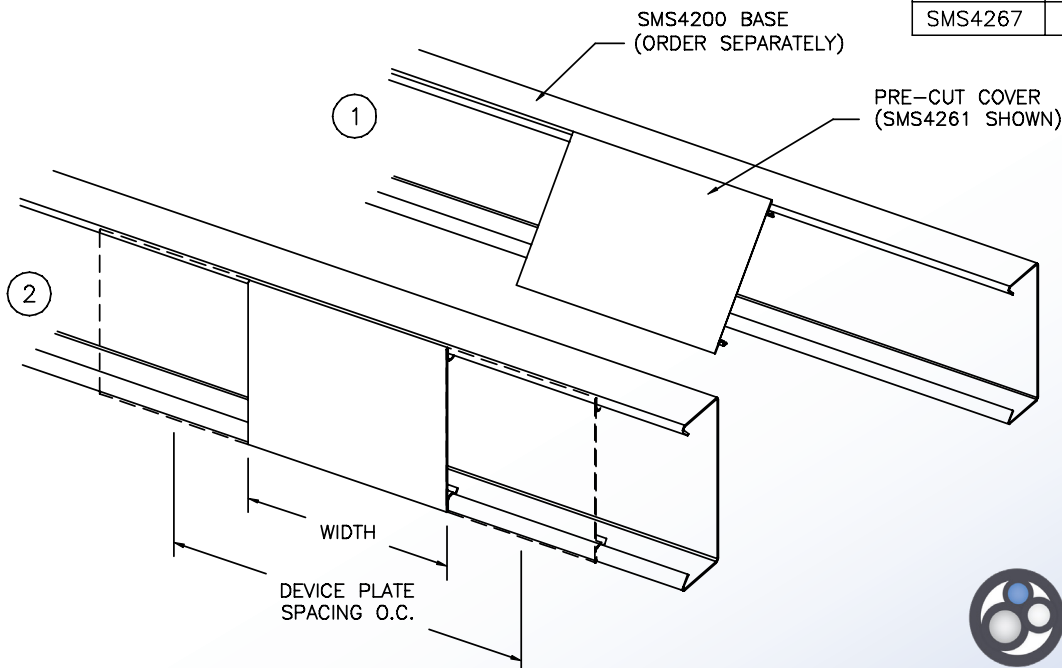


SMS4200 SERIES
STEEL RACEWAY
SECTION VIEW
EACH ORDERED SEPARATELY
SCALE: NONE



UL LISTED
FILE: E164140

MSI P/N:	WIDTH	DEVICE PLATE SPACING O.C.
SMS4261	7.5"	12"
SMS4263	13.5"	18"
SMS4265	19.5"	24"
SMS4267	31.5"	36"



4 International Drive
Rye Brook, NY 10573
Toll Free: 1 888.764.7681
Phone: 914.934.2075
Fax: 914.934.2190
MonoSystems.com

