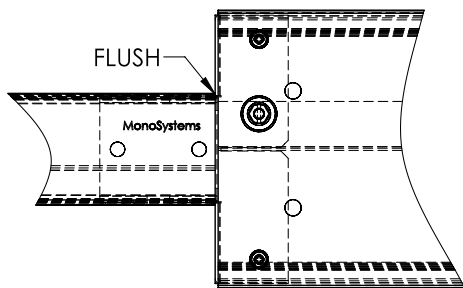
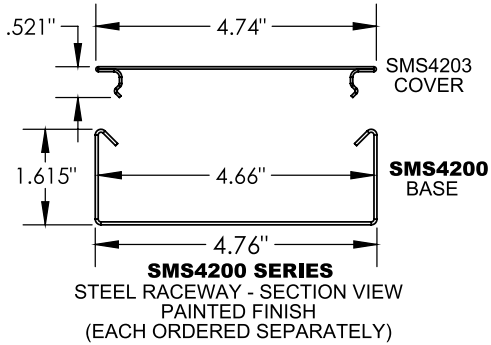


Surface Raceway / Steel SMS4294

SnapMark™ Accessories

Manufactured by MonoSystems, Inc.

REDUCER, SMS4200 TO SMS2400 SERIES

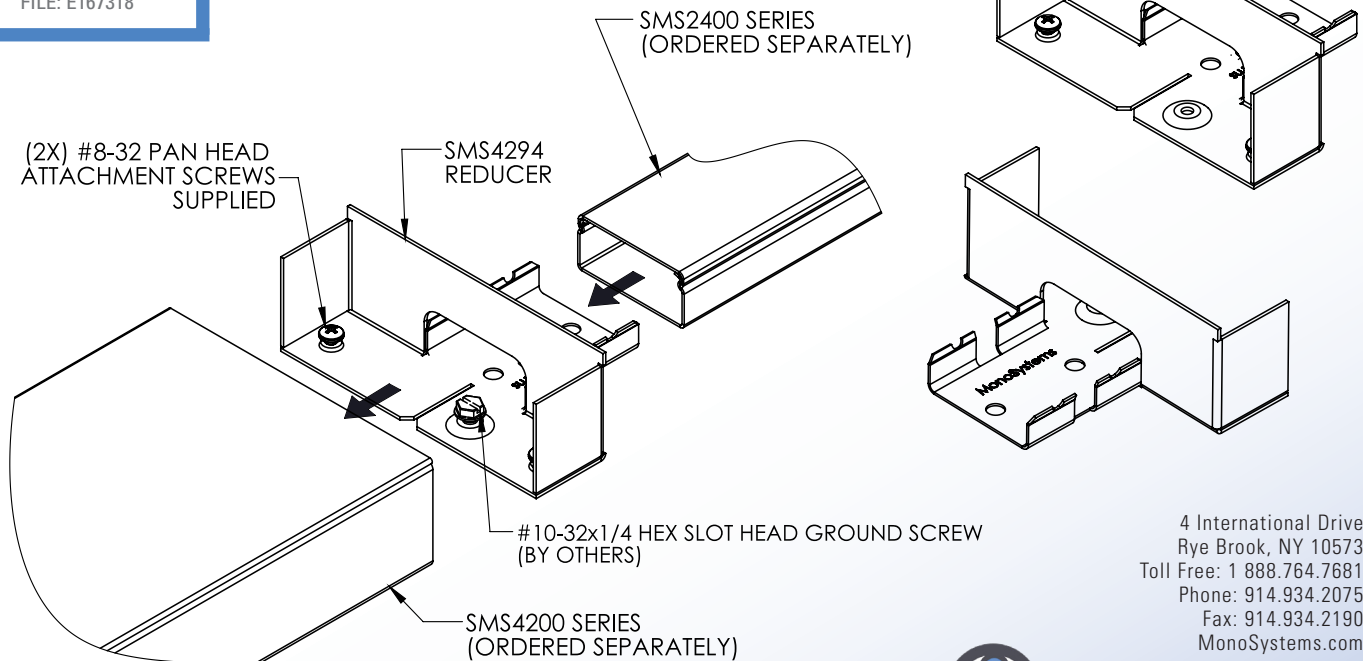


Notes

- 1.) Material: 18GA galv. steel.
Color: standard gray or ivory (add -I suffix to part number).
custom colors also available.
- 2.) Assembly instructions: insert reducer fully into SMS4200 base section. Secure to base using (2x) supplied #8-32x1/4" phillips pan head screws. Insert SMS2400 series base section around attached coupling until flush against the wall of the SMS4294.
- 3.) Rigidly secure both base sections to structural building member or wall construction at 18" maximum mounting centers. Engineer to verify fasteners and mounting interval based on mounting surface construction (hardware by others).
- 4.) Views for reference - do not scale.



UL LISTED
FILE: E167318



4 International Drive
Rye Brook, NY 10573
Toll Free: 1 888.764.7681
Phone: 914.934.2075
Fax: 914.934.2190
MonoSystems.com

