

Surface Raceway / Steel SMS4204

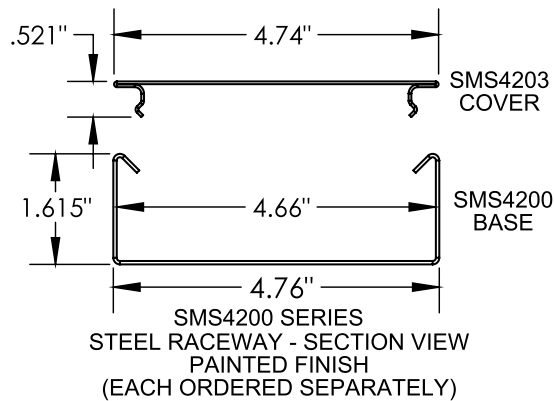
SnapMark™ Accessories

Manufactured by MonoSystems, Inc.

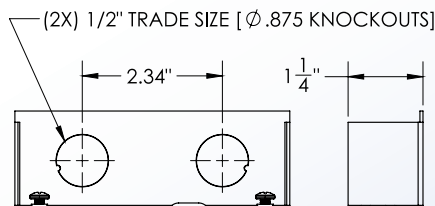
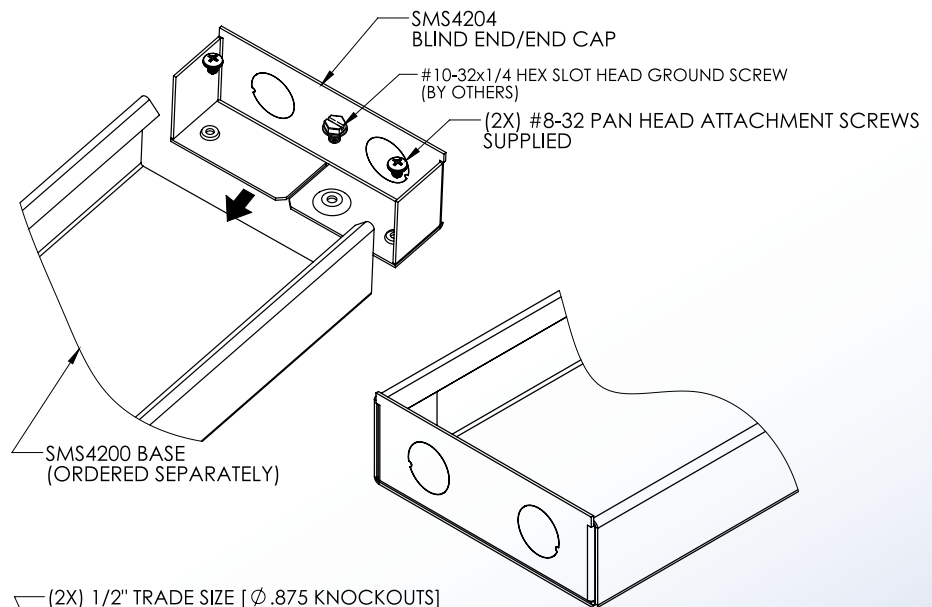
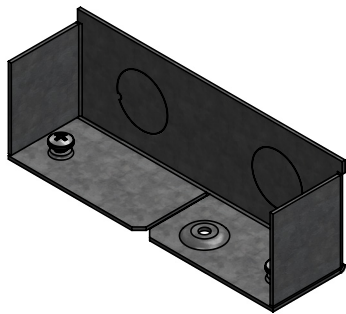
BLIND END / END CAP

Notes

- 1.) Material: 18GA Galv. Steel.
Color: Standard gray or ivory (add -I suffix to part number).
Custom colors also available.
- 2.) Assembly Instructions: Insert end cap fully into SMS4200 base section. Secure to base using (2x) supplied #8-32x1/4" phillips pan head screws.
- 3.) Views for reference - do not scale.



UL LISTED
FILE: E167318



4 International Drive
Rye Brook, NY 10573
Toll Free: 1 888.764.7681
Phone: 914.934.2075
Fax: 914.934.2190
MonoSystems.com

