

Surface Raceway / Steel SMS4203

SnapMark™ Accessories

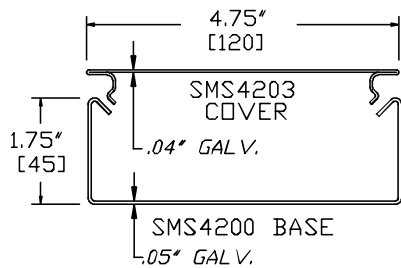
Manufactured by MonoSystems, Inc.

COVER - 5 [1.5M]

Assembly Instructions

- 1.) Insert one end of the cover under lip of SMS4200 base.
- 2.) Firmly press cover into place ensuring that both sides are completely snapped into base section.

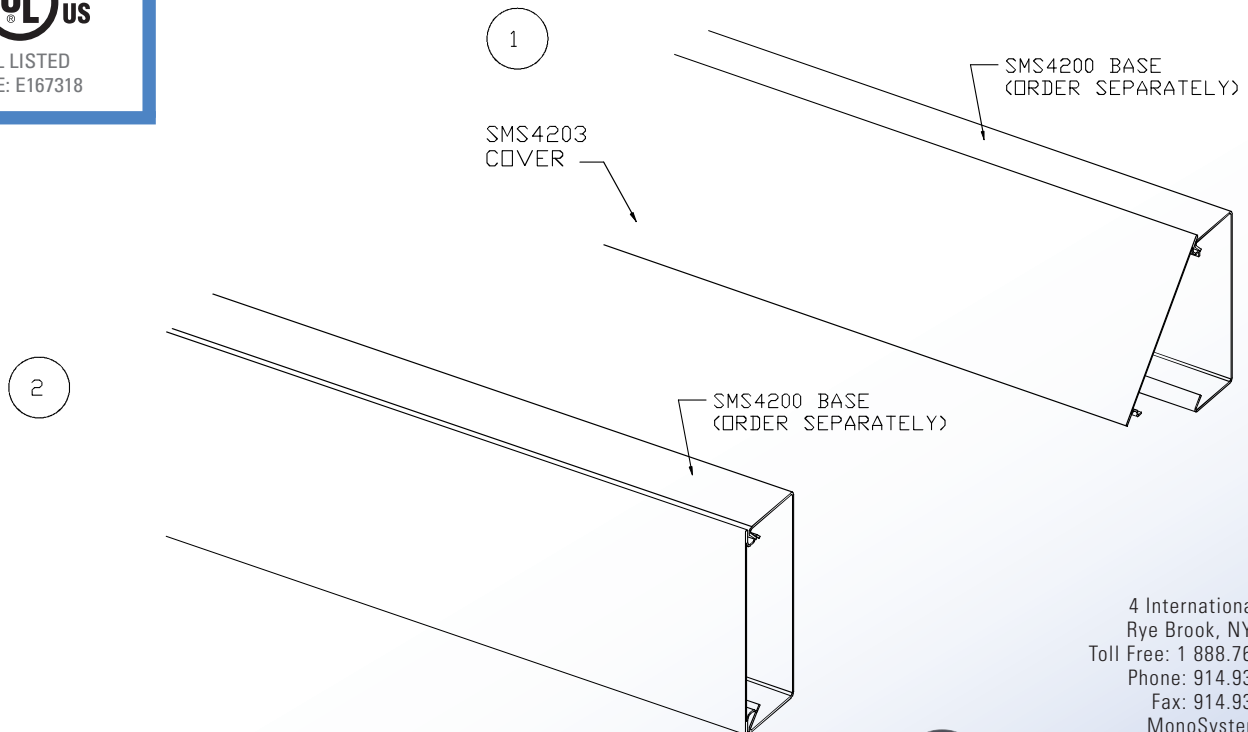
Available in standard Gray or Ivory (add "-I" suffix to specify Ivory).



SMS4200 SERIES
STEEL RACEWAY
SECTION VIEW
EACH ORDERED SEPARATELY
SCALE: NONE



UL LISTED
FILE: E167318



4 International Drive
Rye Brook, NY 10573
Toll Free: 1 888.764.7681
Phone: 914.934.2075
Fax: 914.934.2190
MonoSystems.com

