

Surface Raceway / Steel SMS4200DIV3

SnapMark™ Accessories

Manufactured by MonoSystems, Inc.

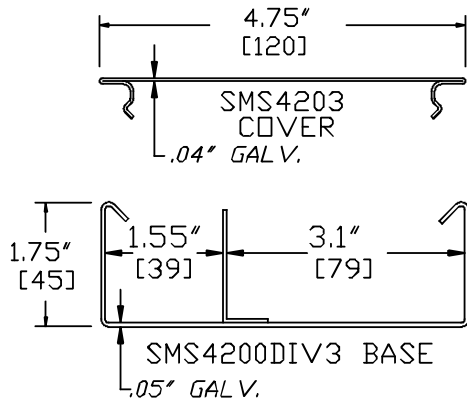
OFFSET FIXED 1/3 DIVIDER BASE - 10' [3M]

Assembly Instructions

- 1.) Rigidly secure base section to structural building member or wall construction.

Material

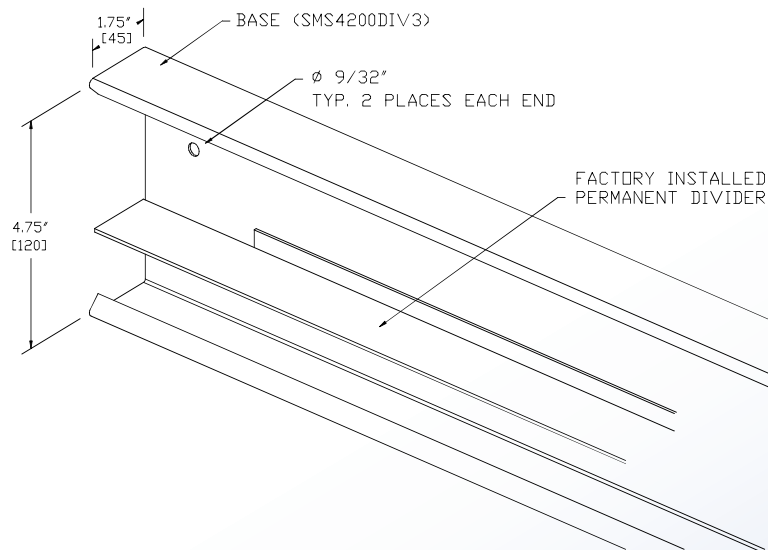
GALV. Steel, Color: Standard Gray or Ivory (add "-I" suffix to part number). Custom colors also available.



SMS4200 SERIES
STEEL RACEWAY
SECTION VIEW
EACH ORDERED SEPARATELY
SCALE: NONE



UL LISTED
FILE: E167318



4 International Drive
Rye Brook, NY 10573
Toll Free: 1 888.764.7681
Phone: 914.934.2075
Fax: 914.934.2190
MonoSystems.com

