

Surface Raceway / Steel SMS4200DIV

SnapMark™ Accessories

Manufactured by MonoSystems, Inc.

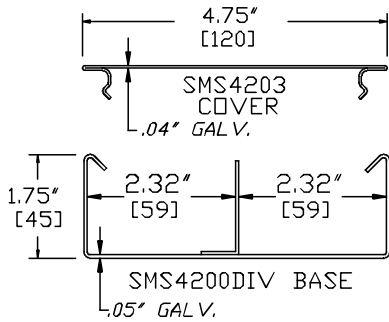
FIXED DIVIDER BASE - 10' [3M]

Assembly Instructions

- 1.) Rigidly secure base section to structural building member or wall construction at 18" maximum mounting centers. Engineer to verify fasteners and mounting interval based on mounting surface construction (hardware by others).

Material

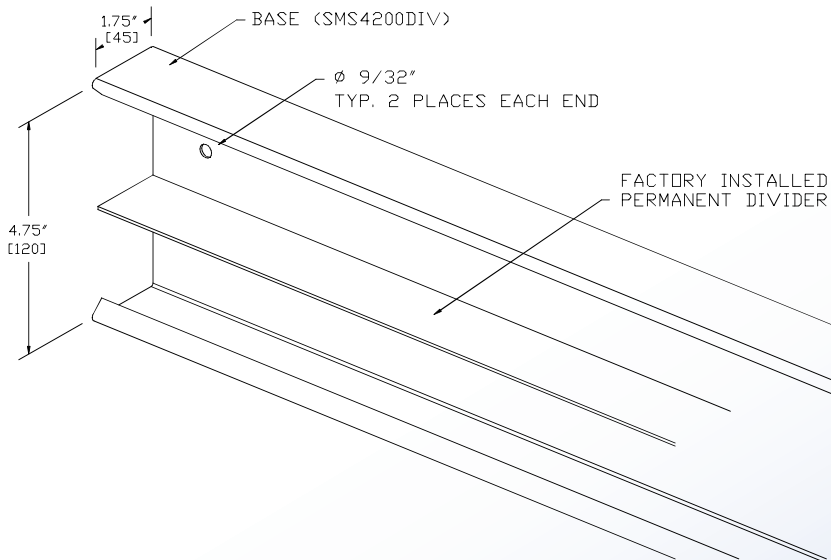
GALV. Steel, Color: Standard Gray or Ivory (add "-I" suffix to part number). Custom colors also available.



SMS4200 SERIES
STEEL RACEWAY
SECTION VIEW
EACH ORDERED SEPARATELY
SCALE: NONE



UL LISTED
FILE: E167318



4 International Drive
Rye Brook, NY 10573
Toll Free: 1 888.764.7681
Phone: 914.934.2075
Fax: 914.934.2190
MonoSystems.com

