

# Surface Raceway / Steel SMS4200A

## SnapMark™ Accessories

Manufactured by MonoSystems, Inc.

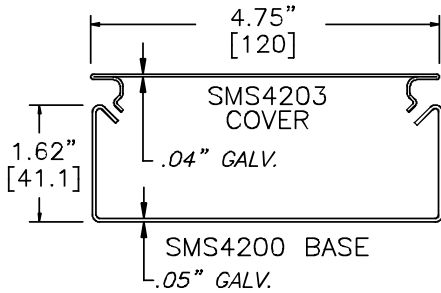
### BASE-10' [3.05] LENGTH STANDARD

#### Assembly Instructions

- 1.) Rigidly secure base section to structural building member or wall construction at 18" maximum mounting centers. Engineer to verify fasteners and mounting interval based on mounting surface construction (hardware by others).
- 2.) Views for reference - do not scale.

#### Material

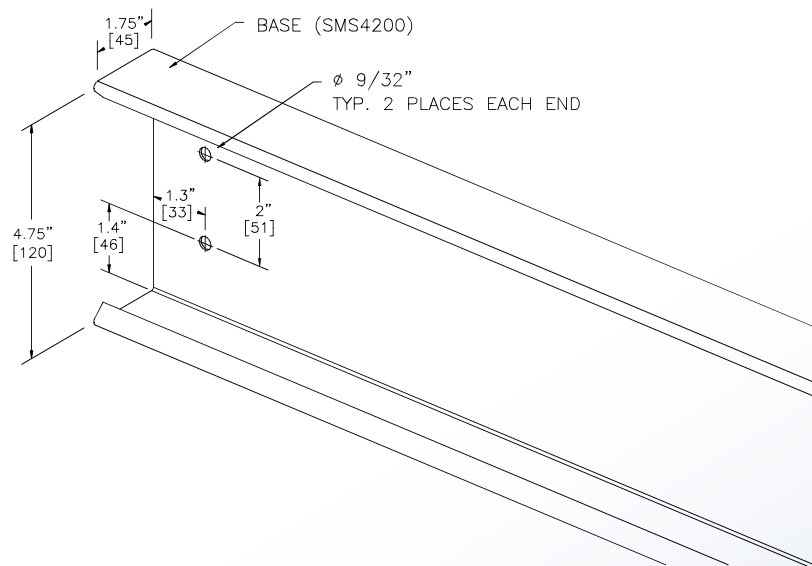
Available in Gray or Ivory (add "-I" suffix to specify Ivory).



SMS4200 SERIES  
STEEL RACEWAY  
SECTION VIEW  
EACH ORDERED SEPARATELY  
SCALE: NONE



UL LISTED  
FILE: E164140



4 International Drive  
Rye Brook, NY 10573  
Toll Free: 1 888.764.7681  
Phone: 914.934.2075  
Fax: 914.934.2190  
MonoSystems.com

