

# Surface Raceway / Steel SMS4200

## SnapMark™ Fill Rate

Manufactured by MonoSystems, Inc.

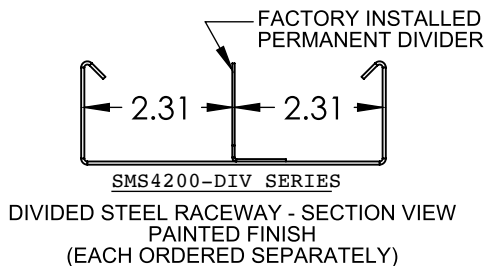
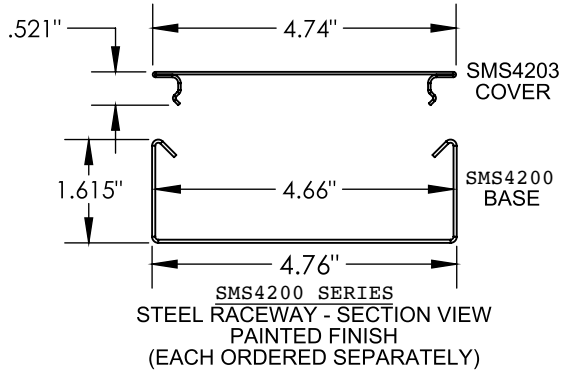
### FILL RATE

#### Notes

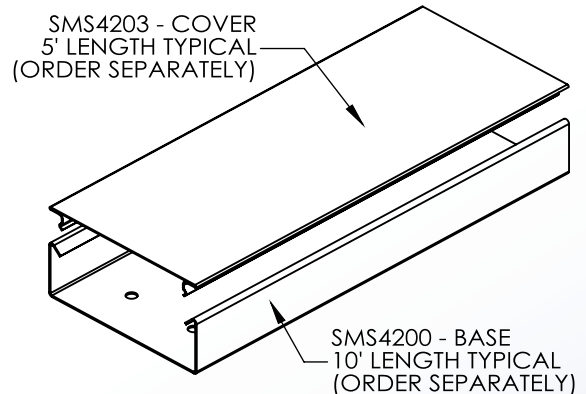
- 1.) Assembly instructions: Rigidly secure base section to structural building member or wall construction at 18" maximum mounting centers. Engineer to verify fasteners and mounting interval based on mounting surface construction (hardware by others).
- 2.) Views for reference - do not scale.

#### Material

GALV. Steel, Color: Standard Gray or Ivory (add "-I" suffix to part number). Custom colors also available.



UL LISTED  
FILE: E164140



| SMS4200 SERIES STEEL RACEWAY FILL CAPACITY FOR DATA / COMMUNICATIONS |  |                               |                 |          |              |          |
|--|--|-------------------------------|-----------------|----------|--------------|----------|
| CABLE TYPE   | CABLE/WIRE SIZE                              | APPROX. O.D. Ø<br>INCHES [mm] | WITHOUT DIVIDER |          | WITH DIVIDER |          |
|  |  |                               | 20% FILL        | 40% FILL | 20% FILL     | 40% FILL |
| UNSHIELDED<br>TWISTED PAIR<br>(CUTP)                                 | 4-PAIR, 24 AWG, CAT 3                        | 0.190 [4.8]                   | 112             | 220      | 50           | 58       |
|  | 4-PAIR, 24 AWG, CAT 5e                       | 0.210 [5.3]                   | 92              | 180      | 41           | 83       |
|  | 4-PAIR, 24 AWG, CAT 6                        | 0.250 [6.3]                   | 65              | 130      | 29           | 58       |
| TELEPHONE  | 2-PAIR, 24 AWG                               | 0.140 [3.5]                   | 92              | 183      | 45           | 92       |
|  | 3-PAIR, 24 AWG                               | 0.150 [3.8]                   | 80              | 161      | 39           | 80       |
|  | 4-PAIR, 24 AWG                               | 0.190 [4.8]                   | 50              | 100      | 24           | 50       |
|  | 25-PAIR, 24 AWG                              | 0.410 [10.3]                  | 10              | 21       | 5            | 10       |
| COAXIAL<br>CABLES  | RG58/U 18 GAUGE                              | 0.195 [4.7]                   | 47              | 95       | 27           | 47       |
|  | RG59/U 22 GAUGE                              | 0.242 [6.1]                   | 30              | 62       | 15           | 30       |
|  | RG62/U 20 GAUGE                              | 0.242 [6.1]                   | 30              | 62       | 15           | 30       |
|  | RG6/U 20 GAUGE                               | 0.270 [6.8]                   | 24              | 49       | 12           | 24       |
| TWINAXIAL  | 100 Ohm                                      | 0.330 [8.3]                   | 16              | 33       | 8            | 16       |
| SHIELDED<br>TWISTED<br>PAIR  | TYPE 1                                       | 0.390 [9.8]                   | 11              | 23       | 5            | 11       |
|  | TYPE 2                                       | 0.465 [11.0]                  | 8               | 16       | 4            | 8        |
|  | TYPE 3                                       | 0.245 [6.1]                   | 29              | 60       | 14           | 29       |
| FIBER OPTIC  | 2-STRANDED (DUPLEX)<br>MULTIMODE, 62.5/125µm | 0.198 [4.8]                   | 49              | 100      | 24           | 49       |

| SMS4200 SERIES STEEL RACEWAY FILL CAPACITY FOR POWER WIRING            |                               |                    |                 |   |                 |   |                 |  |                 |
|--|-------------------------------|--------------------|-----------------|---|-----------------|---|-----------------|--|-----------------|
| *NOTE: WIRING CAPACITY IS<br>REDUCED BY 30% IN ALL ANGLED<br>FITTINGS. |                               | WITHOUT DEVICES    |                 | POWER WIRING<br>WITH 1.59 Sq. In.<br>DUPLEX DEVICES |                 | POWER WIRING<br>WITH 2.30 Sq. In.<br>GFCI DEVICES |                 | POWER WIRING<br>WITH 3.00 Sq. In.<br>SINGLE RECPACTACLES |                 |
| WIRE SIZE<br>THHN/THWN   | APPROX. O.D. Ø<br>INCHES [mm] | WITHOUT<br>DIVIDER | WITH<br>DIVIDER | WITHOUT<br>DIVIDER                                  | WITH<br>DIVIDER | WITHOUT<br>DIVIDER                                | WITH<br>DIVIDER | WITHOUT<br>DIVIDER                                       | WITH<br>DIVIDER |
| 6 AWG  | 0.254 [6.5]                   | 56                 | 24              | 31  | 15              | 20  | 9               | 9  | 3               |
| 8 AWG  | 0.216 [5.5]                   | 78                 | 33              | 43  | 20              | 28  | 13              | 13   | 5               |
| 10 AWG   | 0.164 [4.2]                   | 136                | 58              | 76  | 36              | 49  | 22              | 22   | 9               |
| 12 AWG   | 0.130 [3.3]                   | 216                | 93              | 120   | 57              | 78  | 36              | 36   | 15              |
| 14 AWG   | 0.111 [2.8]                   | 296                | 127             | 165   | 78              | 107   | 49              | 49   | 20              |

4 International Drive  
Rye Brook, NY 10573  
Toll Free: 1 888.764.7681  
Phone: 914.934.2075  
Fax: 914.934.2190  
MonoSystems.com



**MonoSystems™**  
Expect. Direct.