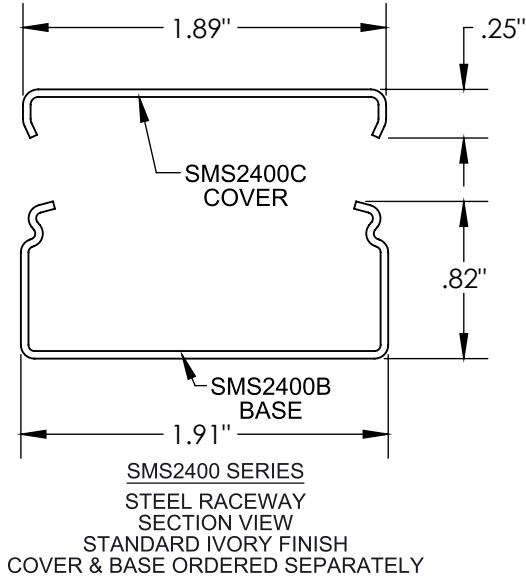


Surface Raceway / Steel SMS2411FO

SnapMark™ Fittings

Manufactured by MonoSystems, Inc.

FLAT 90° ELBOW, 2" RADIUS



Notes

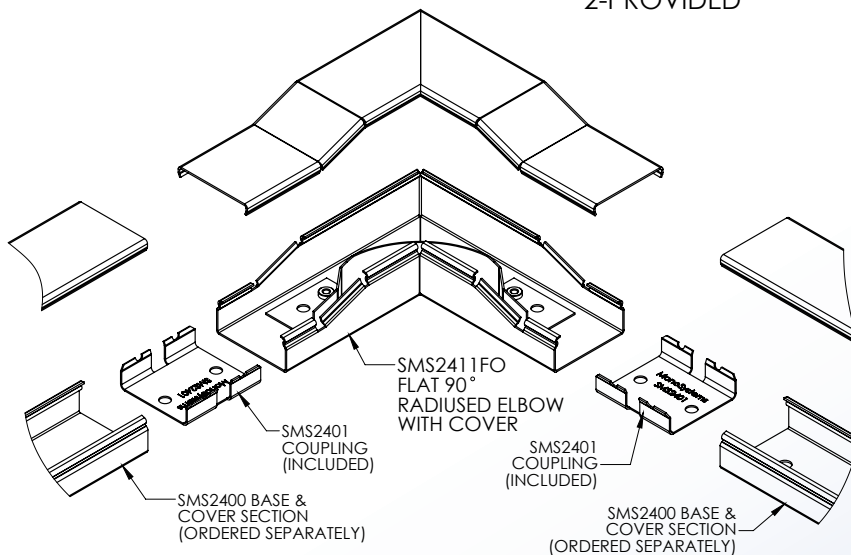
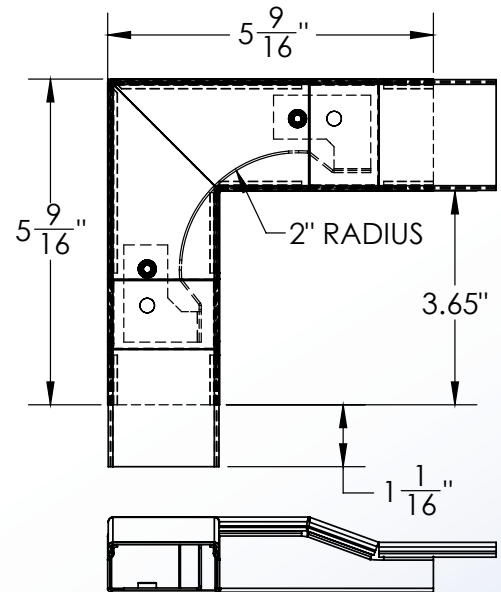
- 1.) Ideal for inlay or pull trough installations.
- 2.) Place and mount raceway on mounting surface (hardware by others) in proper and intended position.
- 3.) Select and position flat elbow divider and rotate couplings depending on orientation of the divided base being connected.
- 4.) Views for reference - do not scale.



UL LISTED
FILE: E167318



SMS2401
COUPLING
2-PROVIDED



4 International Drive
Rye Brook, NY 10573
Toll Free: 1 888.764.7681
Phone: 914.934.2075
Fax: 914.934.2190
MonoSystems.com

