

Surface Raceway / Aluminum SWA4507

SnapWay™ Accessories

Manufactured by MonoSystems, Inc.

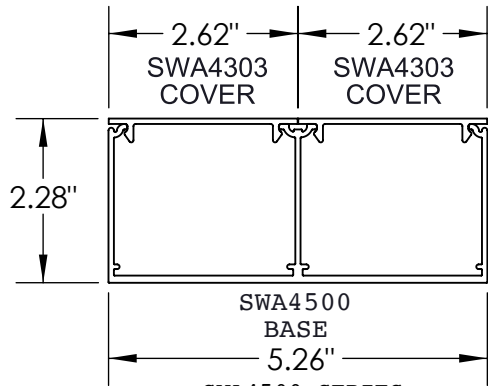
WIRE CLIP

Notes

1.) Use for holding wires or cable in base.

Material

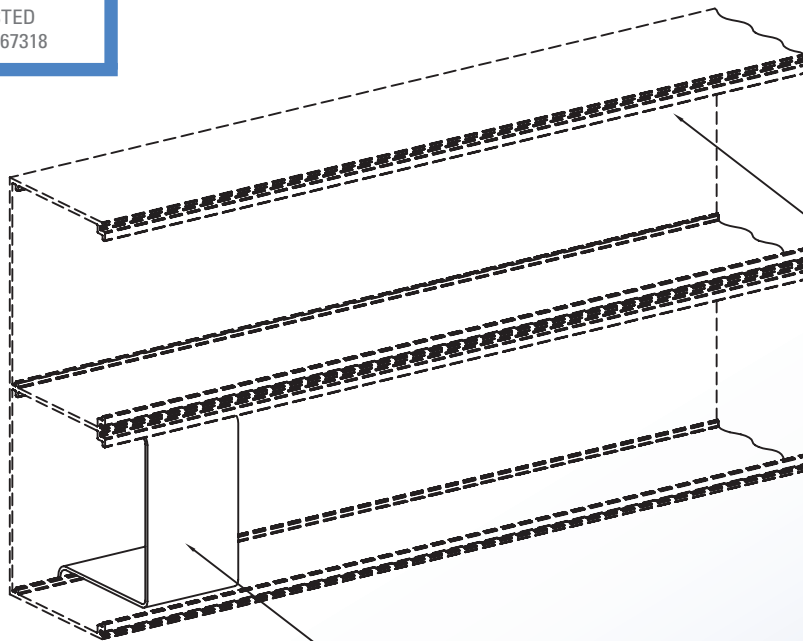
304 Stainless Steel.



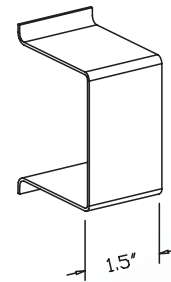
SWA4500 SERIES
2 COMPARTMENT
ALUMINUM RACEWAY
SECTION VIEW
SATIN ANODIZE FINISH
(EACH ORDERED SEPARATELY)



UL LISTED
FILE: E167318



SWA4507 - WIRE CLIP



SWA4500 - BASE
(ORDERED SEPARATELY)

4 International Drive
Rye Brook, NY 10573
Toll Free: 1 888.764.7681
Phone: 914.934.2075
Fax: 914.934.2190
MonoSystems.com



MonoSystems™
Expect. Direct.