

# Surface Raceway / Aluminum SWA7209

## SnapWay™ Fittings

Manufactured by MonoSystems, Inc.

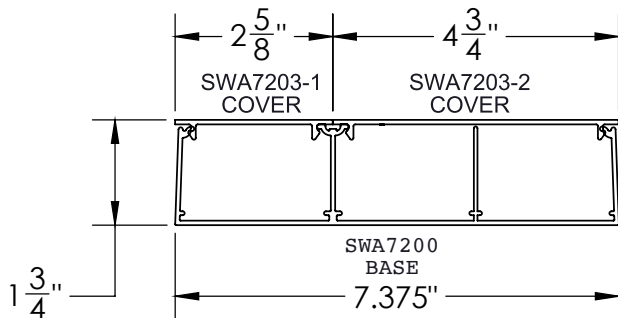
### 90° FLAT ELBOW

#### Notes

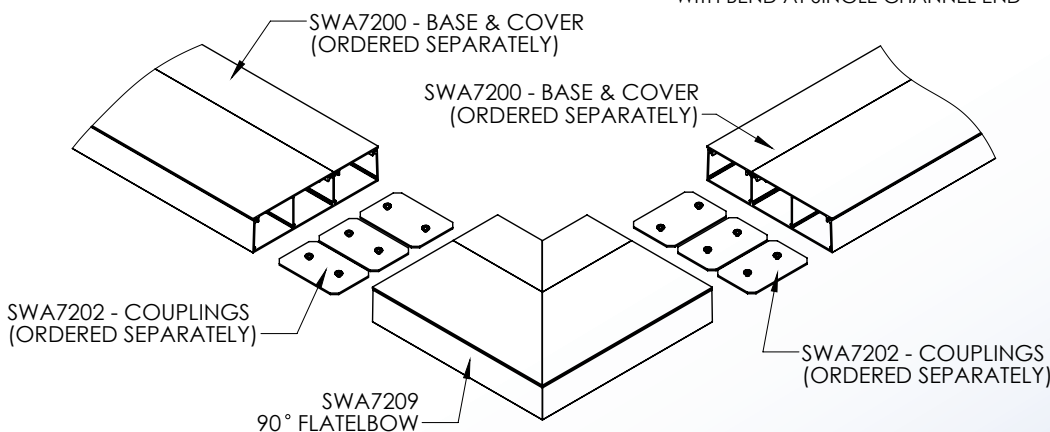
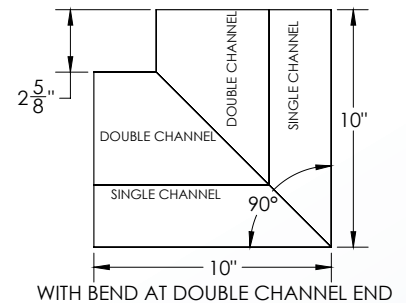
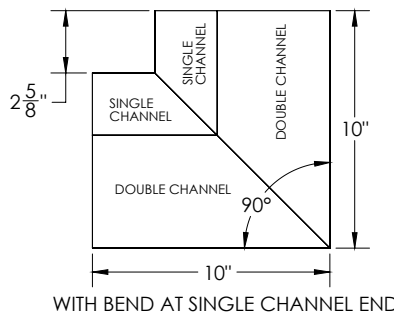
- 1.) For internal right angle turns. Specify bend type required.
- 2.) Installation: Connect SWA7209 to SWA7200 base sections using SWA7202 couplings (ordered separately). Secure elbow to base by tightening #8-32 pan head screws. Snap cover into place.
- 3.) Views for reference - do not scale.

#### Material

#6063-T6 Extruded Aluminum, Satin Anodized Finish.



SWA7200 SERIES  
3 COMPARTMENT  
ALUMINUM RACEWAY  
SECTION VIEW  
SATIN ANODIZE FINISH  
(EACH ORDERED SEPARATELY)



4 International Drive  
Rye Brook, NY 10573  
Toll Free: 1 888.764.7681  
Phone: 914.934.2075  
Fax: 914.934.2190  
MonoSystems.com

