

Surface Raceway / Aluminum SWA7207

SnapWay™ Accessories

Manufactured by MonoSystems, Inc.

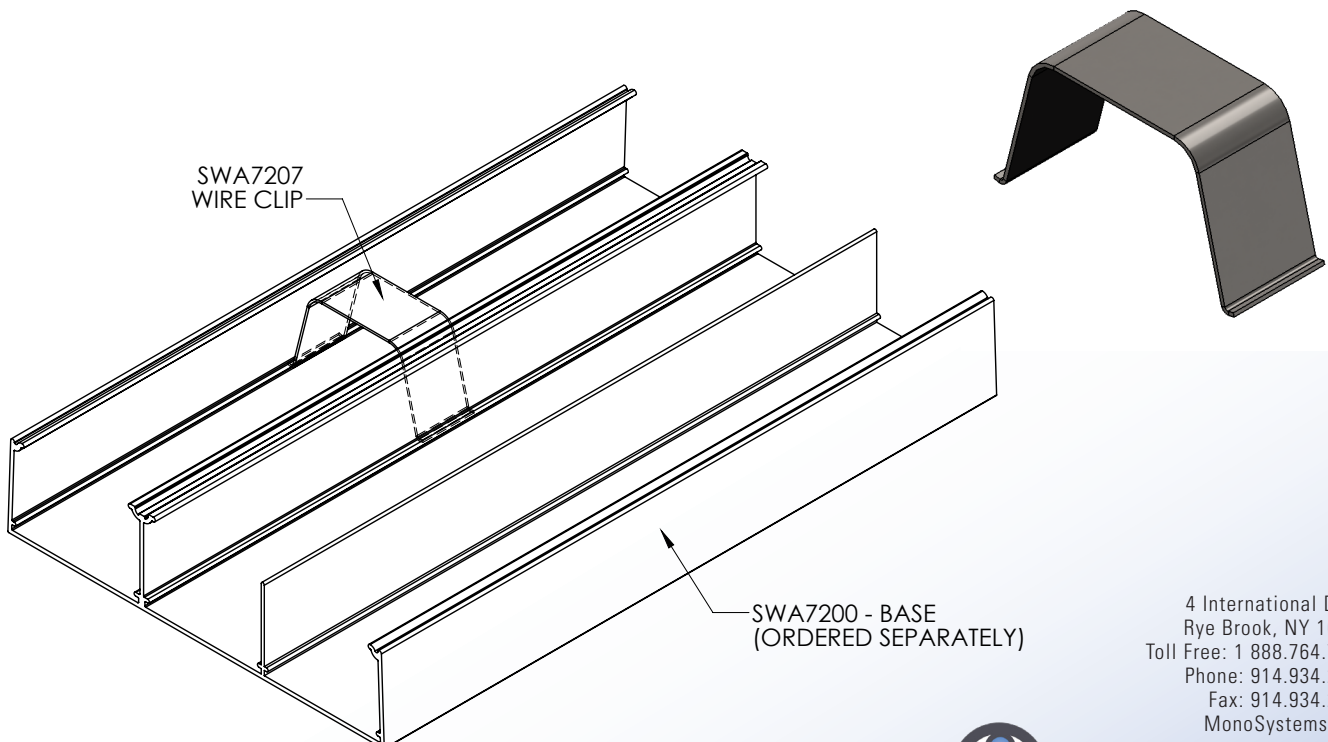
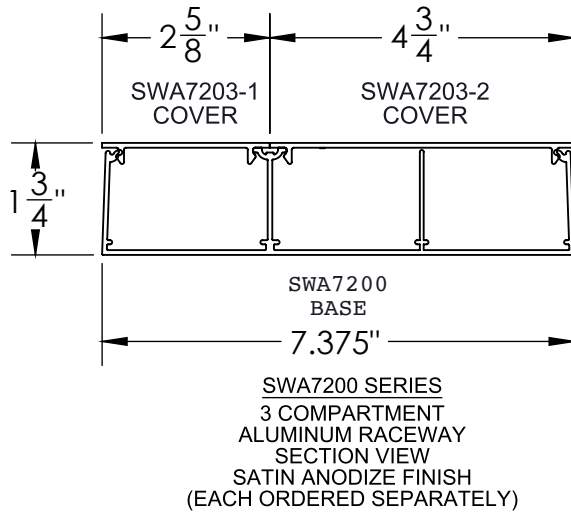
WIRE RETAINING CLIP

Notes

- 1.) Install clip around wire inside raceway by inserting one edge into inner bottom lip (as shown) gently compress wire clip and install into adjacent bottom lip.
- 2.) UL listed when used with grounding adapter clips (SWA72GC) adjacent to wire entry point.
- 3.) Views for reference - do not scale.

Material

20 Gauge Stainless Steel.



4 International Drive
Rye Brook, NY 10573
Toll Free: 1 888.764.7681
Phone: 914.934.2075
Fax: 914.934.2190
MonoSystems.com

