

# Surface Raceway / Aluminum SWA7204

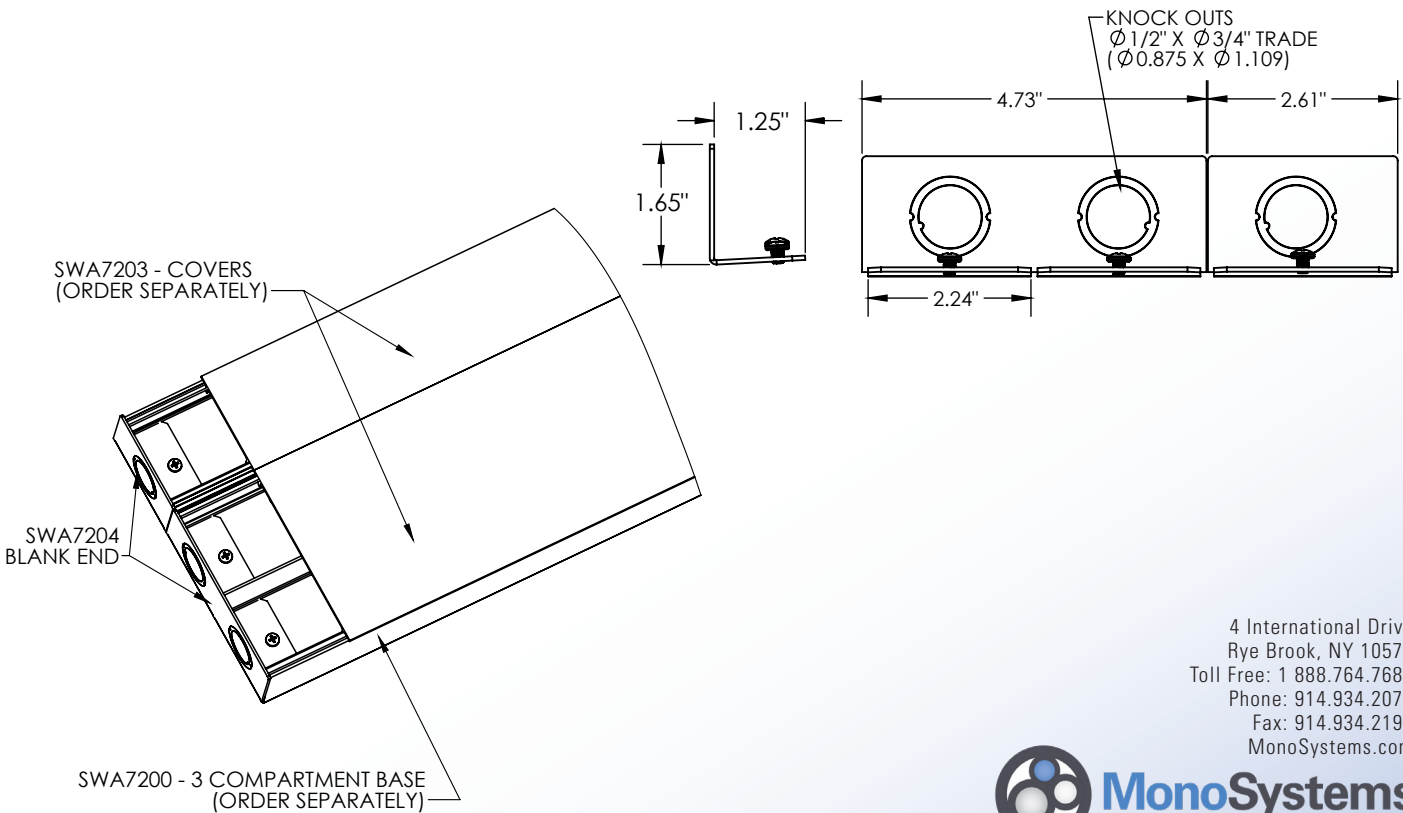
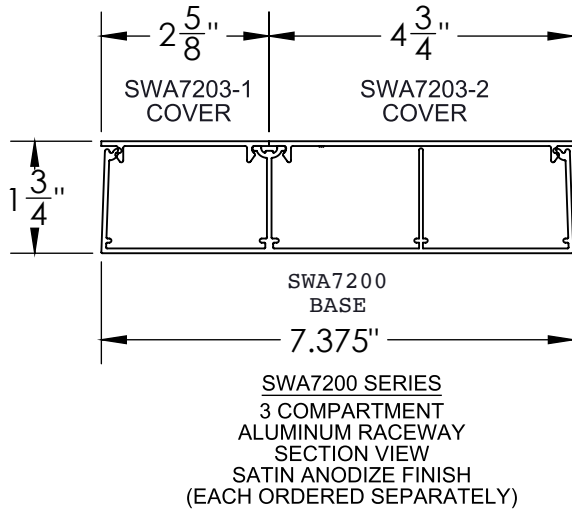
## SnapWay™ Accessories

Manufactured by MonoSystems, Inc.

### BLANK END WITH KNOCKOUTS

#### Notes

- 1.) End caps with (3)  $\varnothing 1/2"$  x  $\varnothing 3/4"$  concentric trade size knock outs.
- 2.) Assembly instructions: insert blank end into end of base section. secure in place using #8-32 hardware (provided).
- 3.) Satin anodized finish.
- 4.) Views for reference - do not scale.



4 International Drive  
Rye Brook, NY 10573  
Toll Free: 1 888.764.7681  
Phone: 914.934.2075  
Fax: 914.934.2190  
MonoSystems.com

