

# Surface Raceway / Aluminum SWA7203-2

SnapWay™ Accessories  
Manufactured by MonoSystems, Inc.

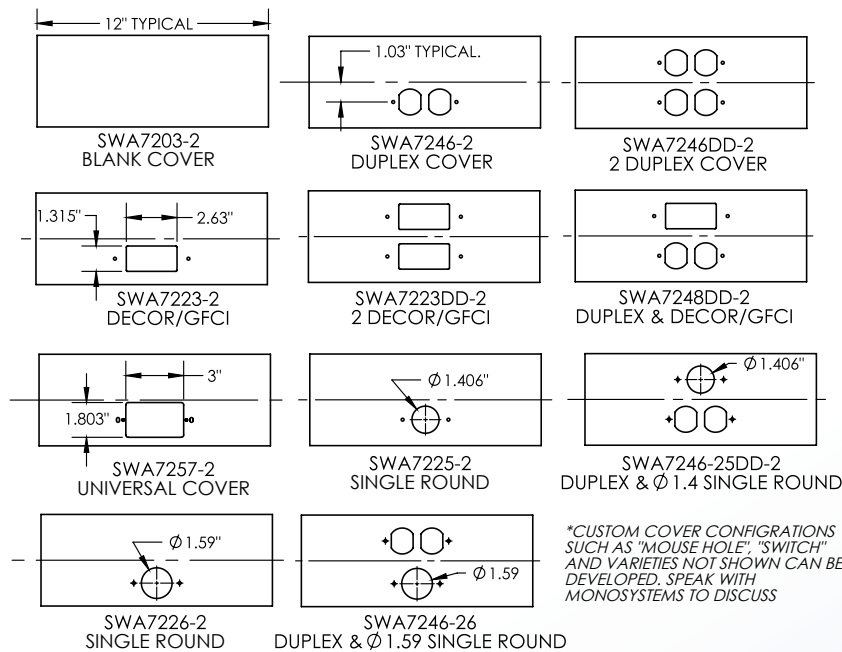
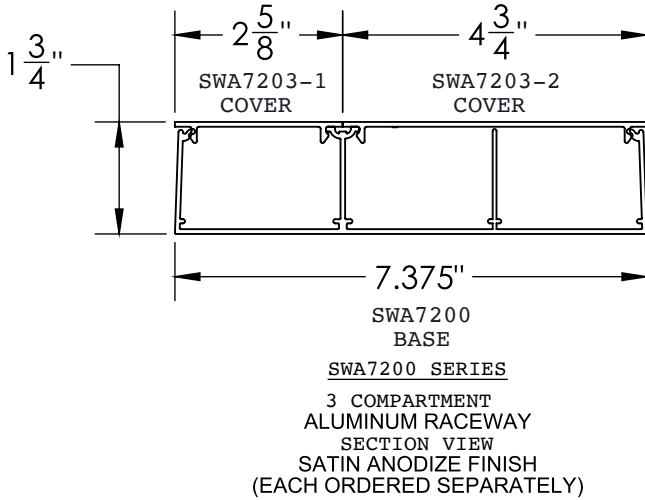
## COVER PLATE OPTIONS

### Notes

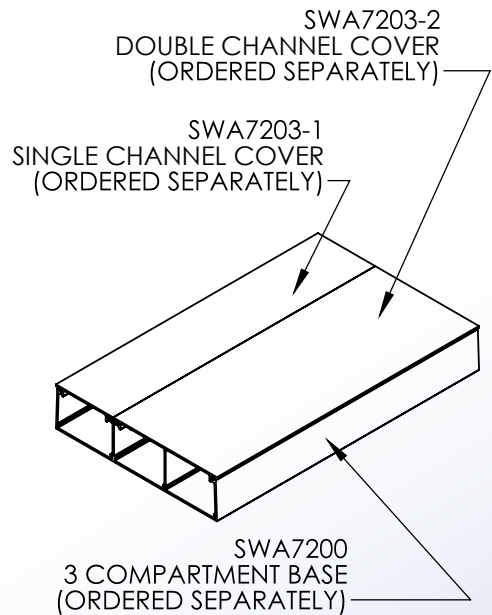
- 1.) Assembly Instructions: Firmly press cover into place ensuring that both sides are completely snapped into base section.
- 2.) Views for reference - do not scale.

### Material

#6063-T6 Extruded Aluminum, Satin Anodized Finish.



*\*CUSTOM COVER CONFIGURATIONS SUCH AS "MOUSE HOLE", "SWITCH" AND VARIETIES NOT SHOWN CAN BE DEVELOPED. SPEAK WITH MONOSYSTEMS TO DISCUSS*



4 International Drive  
Rye Brook, NY 10573  
Toll Free: 1 888.764.7681  
Phone: 914.934.2075  
Fax: 914.934.2190  
MonoSystems.com

