

# Surface Raceway / Aluminum SWA7203-1,2

SnapWay™

Manufactured by MonoSystems, Inc.

## COVER

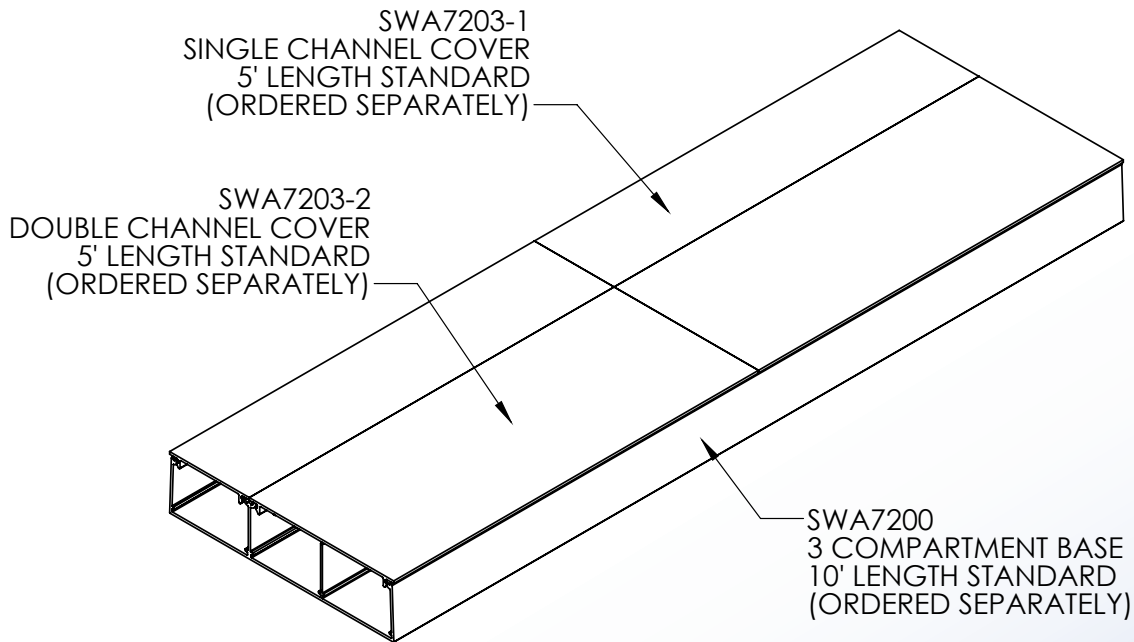
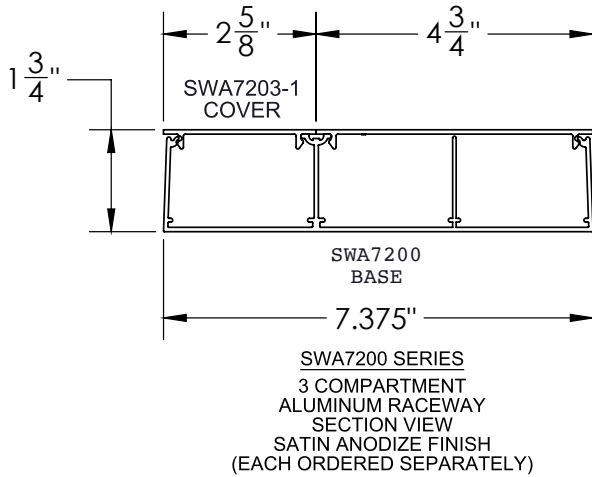
### Notes

1.) Assembly Instructions: Rigidly secure base section to structural building member or wall construction at 18" maximum mounting centers. Engineer to verify fasteners and mounting interval based on mounting surface construction (hardware by others).

2.) Views for reference - do not scale.

### Material

#6063-T6 Extruded Aluminum, Satin Anodized Finish.



4 International Drive  
Rye Brook, NY 10573  
Toll Free: 1 888.764.7681  
Phone: 914.934.2075  
Fax: 914.934.2190  
MonoSystems.com

